

DAELIM

Daystar

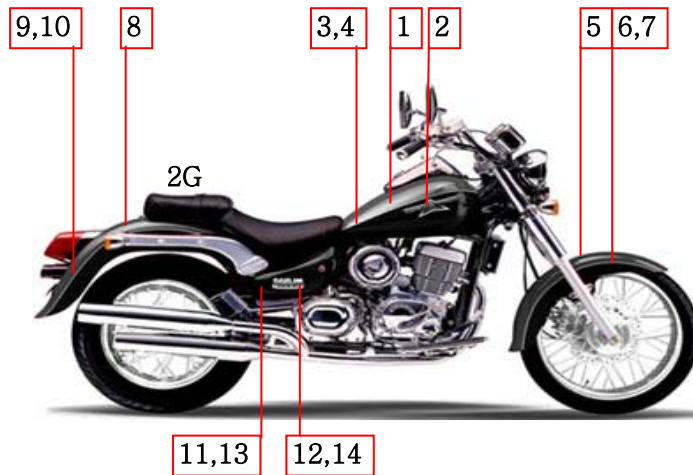
VL125 Fi EUROPE

파트리스트
PARTS LIST

 **대림자동차**
<http://www.dmc.co.kr>

COLOR & STRIPE SET

BA1C-RZ01_DAYSTAR_VL125FI/VL125LFL_EU3_2008

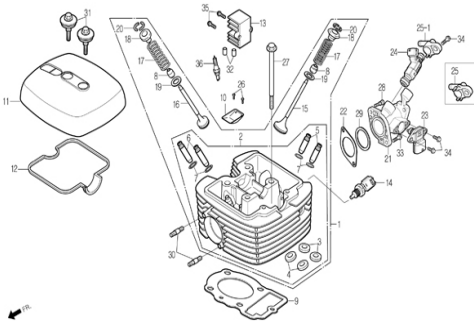


NO	PART NAME	Q'TY	2G(GRAY+BLACK)	20(RED+SILVER)	2N(ORANGE+BEIGE)	PB(PANTHER BLACK)
1	TANK SET, FUEL	1	1751A-BA1-R320-2G	1751A-BA1-R320-20	1751A-BA1-R320-2N	1751A-BA1-R320-PB
2	MARK.FUEL TANK	2	87121-BA1-R300	87121-BA1-R300	87121-BA1-R300	87121-BA1-R300
3	STRIPE,RH.FUEL TANK	1	87125-BA1-R300-2G	87125-BA1-R300-20	87125-BA1-R300-2N	87125-BA1-R300-PB
4	STRIPE,LH.FUEL TANK	1	87126-BA1-R300-2G	87126-BA1-R300-20	87126-BA1-R300-2N	87126-BA1-R300-PB
5	FENDER SET,FR.	1	6110A-BA1-R300-2G	6110A-BA1-RB10-20	6110A-BA1-R300-2N	6110A-BA1-R300-PB
6	STRIPE,RH.FR.FENDER	1	61103-BA1-R300-2G	61103-BA1-RB10-20	61103-BA1-R300-2N	61103-BA1-R300-PB
7	STRIPE,LH.FR.FENDER	1	61104-BA1-R300-2G	61104-BA1-RB10-20	61104-BA1-R300-2N	61104-BA1-R300-PB
8	FENDER ASS'Y,RR.	1	8010A-BA1-R300-2G	8010A-BA1-RB20-20	8010A-BA1-R300-2N	8010A-BA1-R300-PB
9	STRIPE,RH.RR.FENDER	1	80102-BA1-R300-2G	80102-BA1-RB10-20	80102-BA1-R300-2N	80102-BA1-R300-PB
10	STRIPE,LH.RR.FENDER	1	80103-BA1-R300-2G	80103-BA1-RB10-20	80103-BA1-R300-2N	80103-BA1-R300-PB
11	COVER ASS'Y,RH.SIDE	1	8350A-BA1-R300-PB	8350A-BA1-R300-LS	8350A-BA1-R300-AB	8350A-BA1-R300-PB
12	EMBLEM,SIDE COVER	1	83512-BA1-R300	83512-BA1-R300	83512-BA1-R300	83512-BA1-R300
13	SIDE COVER ASS'Y.,LH.	1	8360A-BA1-R300-PB	8360A-BA1-R300-LS	8360A-BA1-R300-AB	8360A-BA1-R300-PB
14	EMBLEM,SIDE COVER	1	83512-BA1-R300	83512-BA1-R300	83512-BA1-R300	83512-BA1-R300

Engine Group

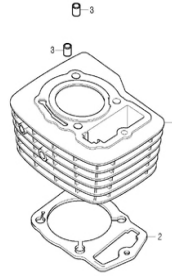
E-01

CYLINDER HEAD



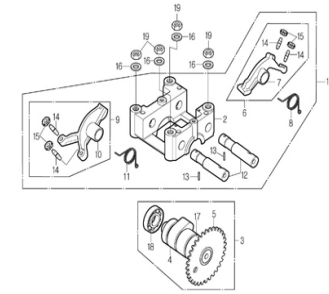
E-02

CYLINDER



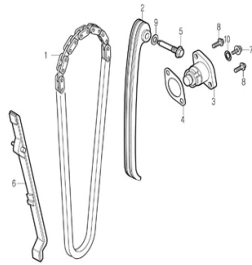
E-03

CAM SHAFT / VALVE



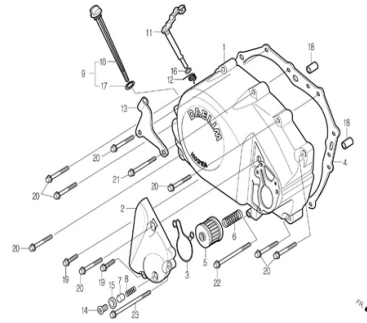
E-04

CAM CHAIN / TENSIONER



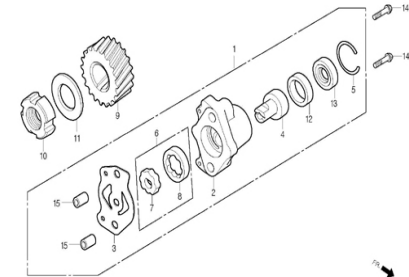
E-05

RIGHT CRANK CASE COVER



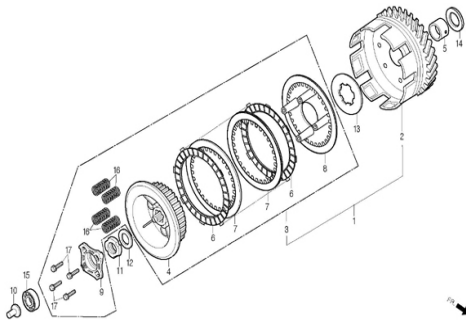
E-06

OIL PUMP



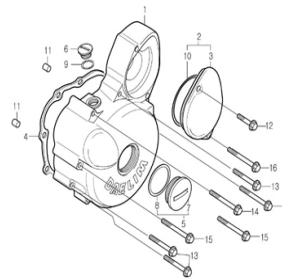
E-07

CLUTCH



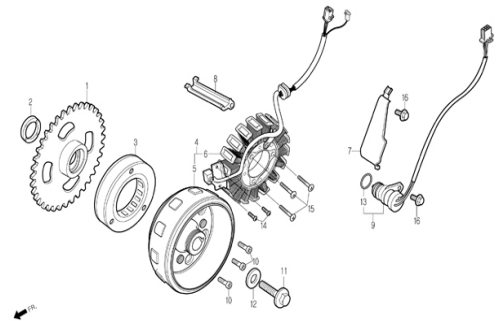
E-08

LEFT CRANK CASE COVER



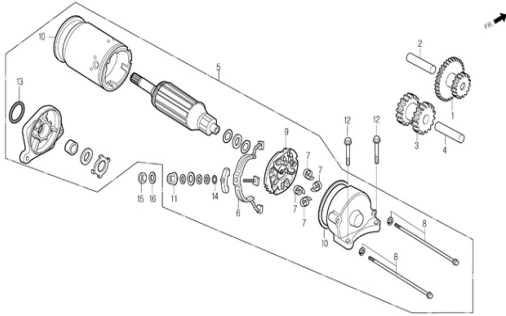
E-09

GENERATOR

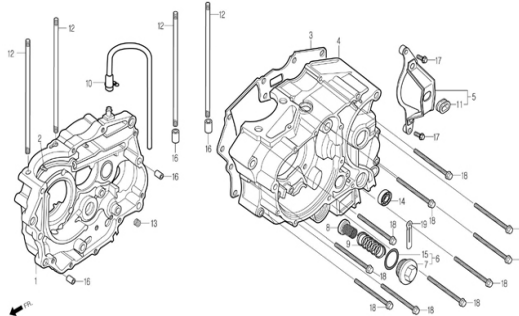


ENGINE GROUP

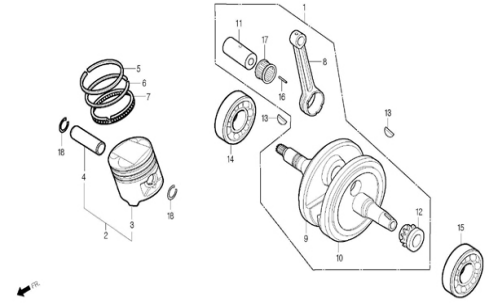
E-10 STARTER MOTOR



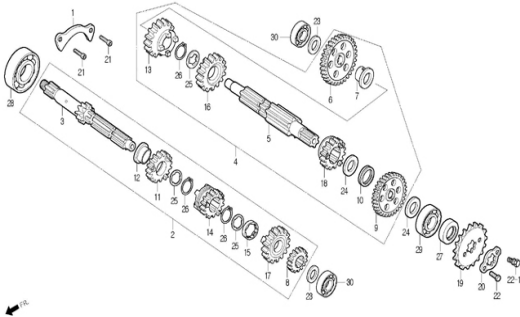
E-11 CRANK CASE



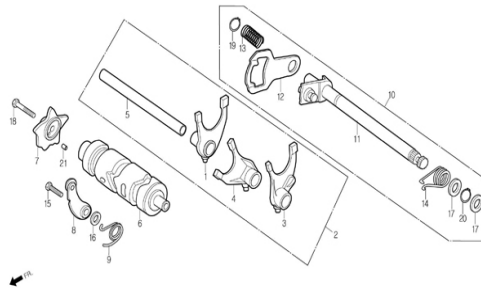
E-12 CRANK SHAFT / PISTON



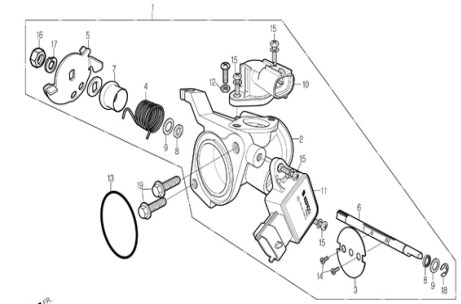
E-13 TRANSMISSION



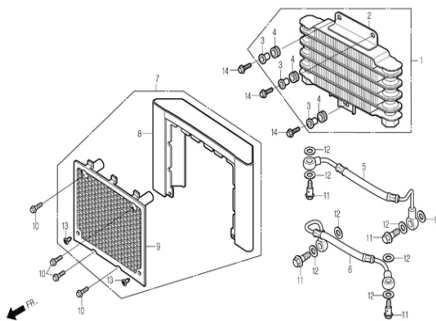
E-14 SHIFT DRUM / SHIFT FORK



E-15 THROTTLE BODY



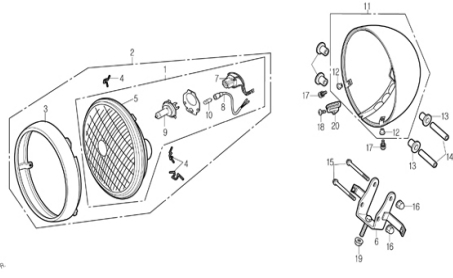
E-16 OIL COOLER



Frame Group

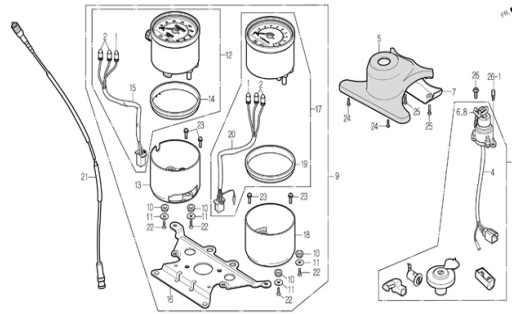
F-01

HEADLIGHT



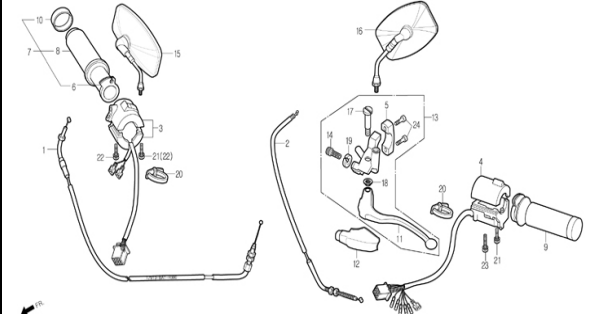
F-02

COMBINATION METER



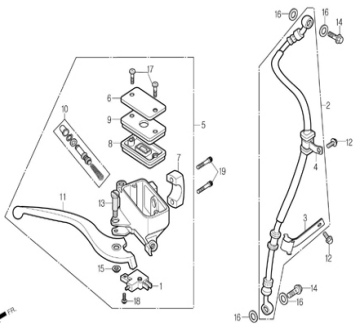
F-03

HANDLE LEVER / SWITCH / CABLE



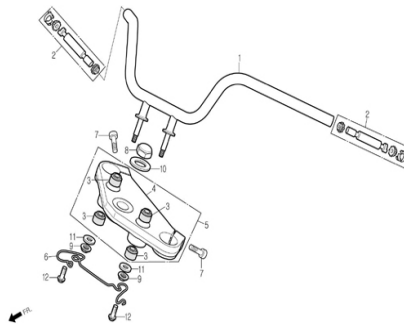
F-04

FRONT BRAKE MASTER CYLINDER



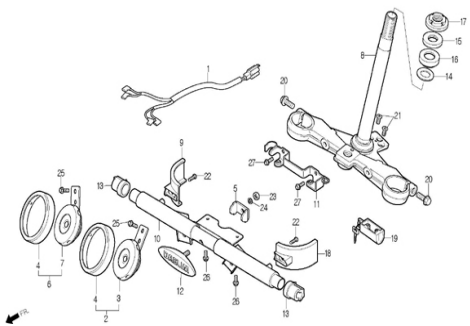
F-05

HANDLE PIPE / TOP BRIDGE



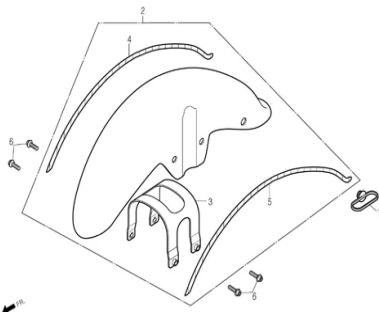
F-06

STEERING STEM / HORN



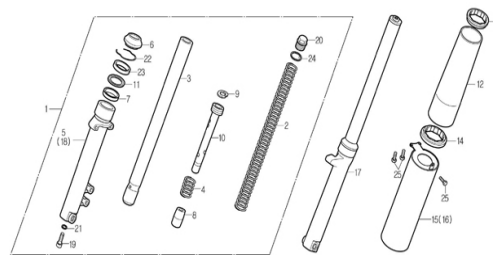
F-07

FRONT FENDER



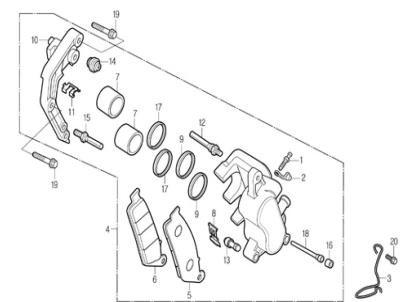
F-08

FRONT FORK



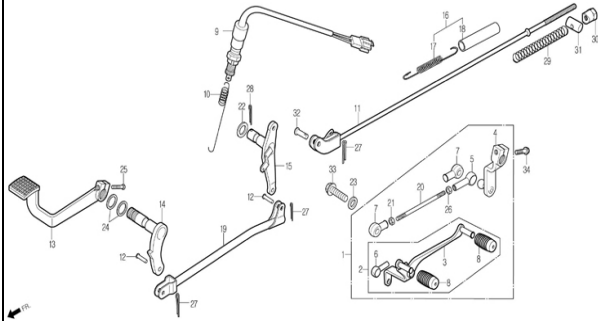
F-09

FRONT BRAKE CALIPER

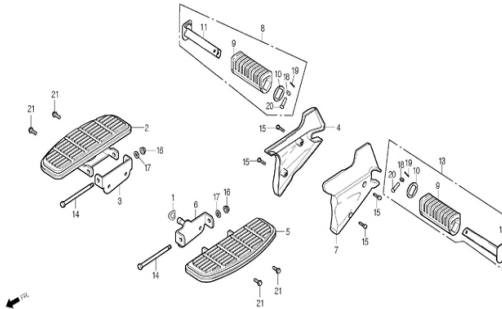


FRAME GROUP

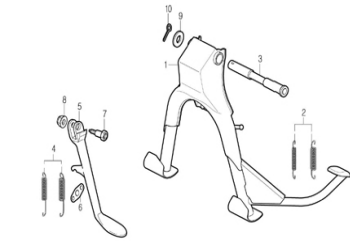
F-19 BRAKE / CHANGE PEDAL / KICK STARTER ARM



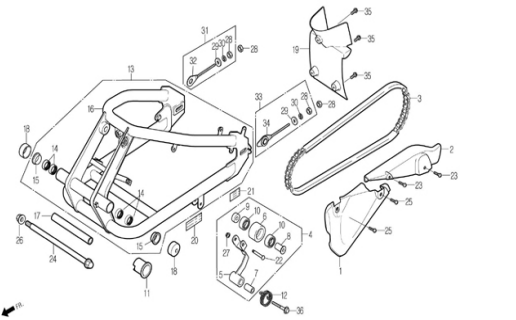
F-20 STEP



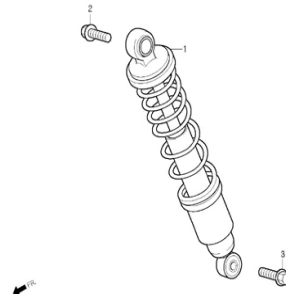
F-21 STAND



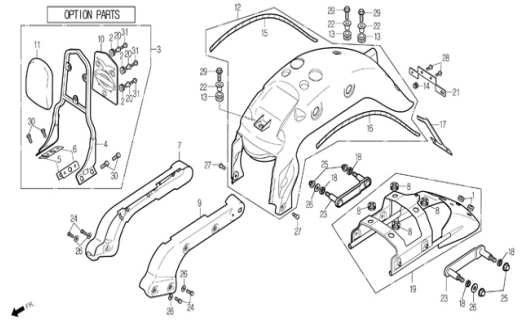
F-22 SWING ARM / CHAIN CASE



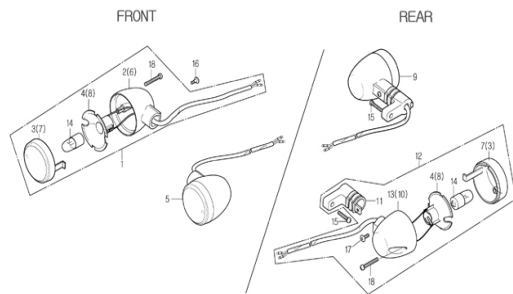
F-23 REAR CUSHION



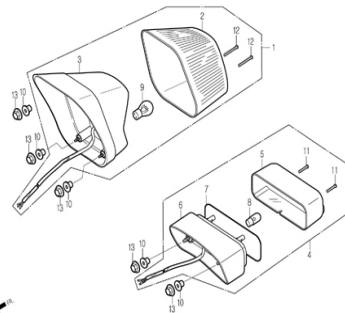
F-24 GRAP RAIL / REAR FENDER



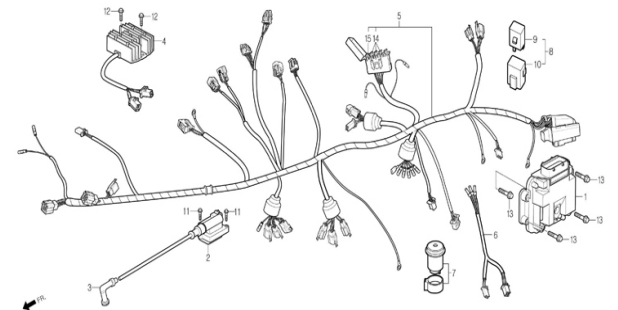
F-25 WINKER



F-26 TAIL LIGHT



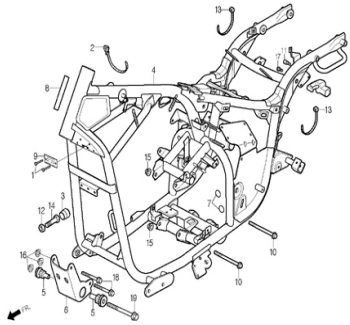
F-27 WIRE HARNESS



FRAME GROUP

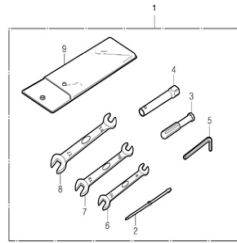
F-28

FRAME BODY



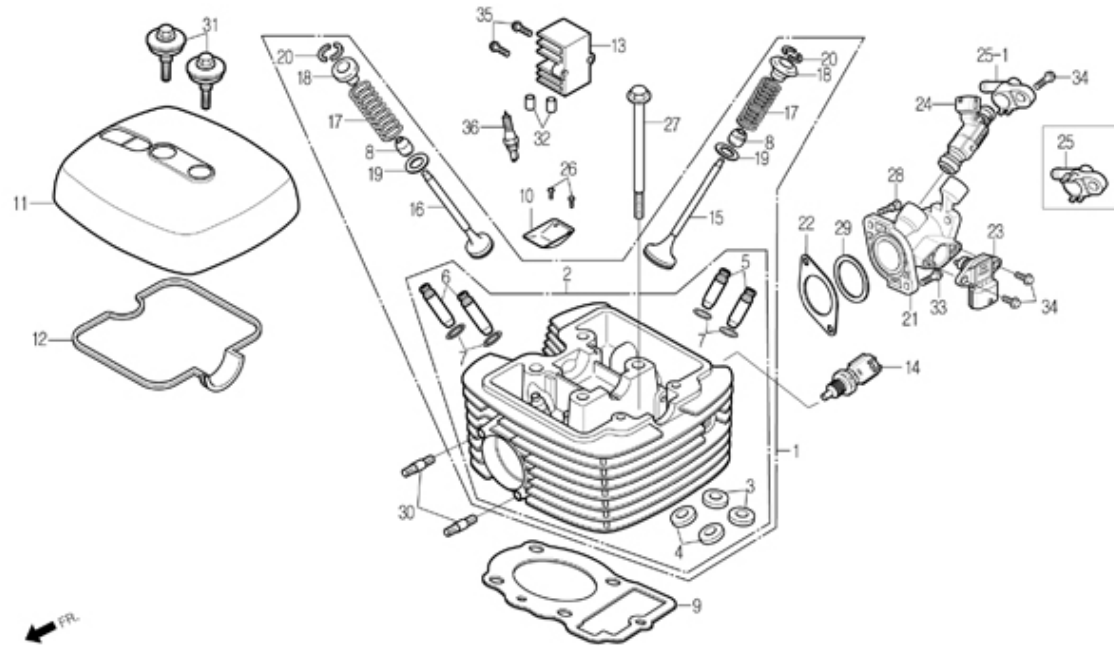
F-29

TOOL

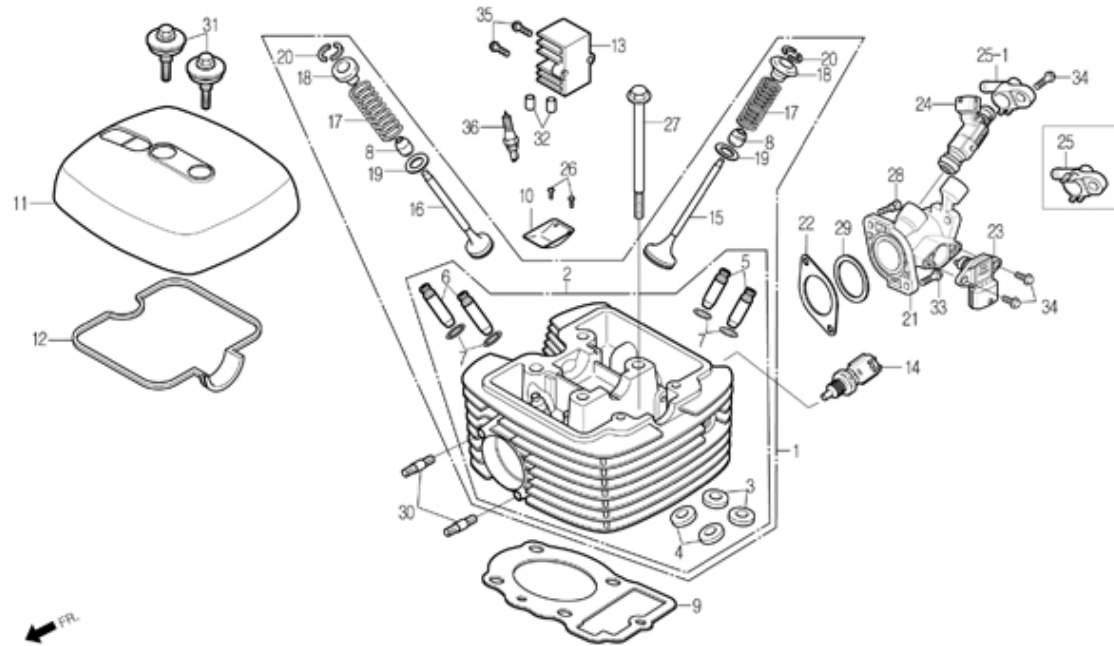


E-01

CYLINDER HEAD



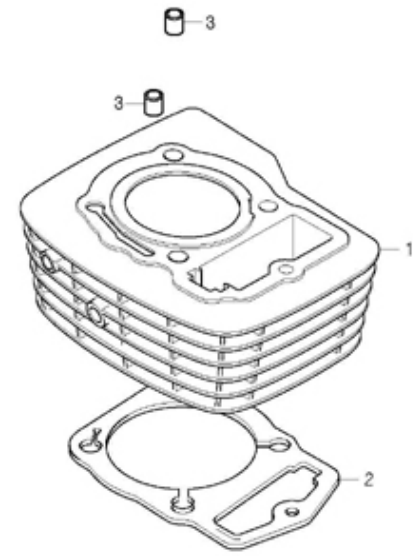
Service item	FRT	Ref. No.	Part No.	Description	QTY	A/S	Exch	Start Date	Start FRM.No	End FRM.No
CYLINDER HEAD COMP	3.9	1	1220A-BA1-R300	CYLINDER HEAD ASS'Y	1	Y		20061127	KMYBA1BLS7C300261	
GUIDE, EX. VALVE	3.4	2	12200-BA1-R300	CYLINDER HEAD COMP.	1	Y		20061127	KMYBA1BLS7C300261	
(ADD 0.3 FOR EACH)	2.8	3	12202-BA1-0000-H1	SEAT, INLET VALVE	2	N		20061127	KMYBA1BLS7C300261	
GASKET, CYLINDER HEAD	0.3	4	12203-BA1-0000-H1	SEAT, EXHAUST VALVE	2	N		20061127	KMYBA1BLS7C300261	
COVER, CYLINDER HEAD	0.4	5	12204-SA1-0000-H1	GUIDE, VALVE	2	N		20061127	KMYBA1BLS7C300261	
GASKET, CYLINDER HEAD COVER	0.1									
.BOLT, STUD 6x35	3.2	6	12205-BA1-0000-H1	GUIDE, EXHAUST VALVE	2	N		20061127	KMYBA1BLS7C300261	
(ADD 0.1 FOR EACH)	3.0	7	12206-SA1-0000-H1	CLIP, VALVE GUIDE	4	N		20061127	KMYBA1BLS7C300261	
INSULATOR, CARBURETOR		8	12209-BA6-0050	SEAL, VALVE STEM	4	Y		20061127	KMYBA1BLS7C300261	
PLUG, SPARK		9	12251-BA1-0000	GASKET, CYLINDER HEAD	1	Y		20061127	KMYBA1BLS7C300261	
VALVE(ADD 0.2 FOR EACH)		10	12260-BA1-0100	PLATE, OIL CATCH	1	Y		20061127	KMYBA1BLS7C300261	
SPRING,VALVE(ADD 0.1 FOR EACH)										
		11	12311-BA1-0000	COVER, CYLINDER HEAD	1	Y		20061127	KMYBA1BLS7C300261	
		12	12313-BA1-0000	GASKET, CYLINDER HEAD COVER	1	Y		20061127	KMYBA1BLS7C300261	
		13	12321-BA1-0000	COVER, SPARK PLUG	1	Y		20061127	KMYBA1BLS7C300261	
		14	12410-BA1-R300-M1	SENSOR, ENGINE TEMPERATURE	1	Y		20061127	KMYBA1BLS7C300261	
		15	14711-BA1-0000	VALVE, INLET	2	Y		20061127	KMYBA1BLS7C300261	
		16	14721-BA1-0000	VALVE, EXHAUST	2	Y		20061127	KMYBA1BLS7C300261	
		17	14751-BA6-9610-M1	SPRING, VALVE	4	Y		20061127	KMYBA1BLS7C300261	
		18	14771-BA6-9600	RETAINER, VALVE SPRING	4	Y		20061127	KMYBA1BLS7C300261	
		19	14775-BA1-0000	SEAT, VALVE SPRING	4	Y		20061127	KMYBA1BLS7C300261	
		20	14781-BA6-0000	COTTER, VALVE	8	Y		20061127	KMYBA1BLS7C300261	
		21	16210-BA1-R300	INSULATOR, THROTTLE BODY	1	Y	N	20061127	KMYBA1BLS7C300261	KMYBA1BLS8C302498

E-01**CYLINDER HEAD**

Service item	FRT	Ref. No.	Part No.	Description	QTY	A/S	Exch	Start Date	Start FRM.No	End FRM.No
			16210-BA1-R310	INSULATOR, THROTTLE BODY	1	Y		20070619	KMYBA1BLS8C302499	
		22	16214-BA7-0000-EU	GASKET, CARBURETOR INSULATOR	1	Y		20061127	KMYBA1BLS7C300261	
		23	16240-BA1-R300-M1	SENSOR, MAP & AT	1	Y		20061127	KMYBA1BLS7C300261	
		24	16300-BA1-R300-M1	INJECTOR ASS'Y	1	Y		20061127	KMYBA1BLS7C300261	
		25	16500-BA1-R300	CAP, INJECTOR	1	Y	N	20061127	KMYBA1BLS7C300261	KMYBA1BLS8C302498
		25-1	16500-BA1-R320	CAP, INJECTOR	1	Y		20070619	KMYBA1BLS8C302499	
		26	90005-BA1-0000	SCREW, PAN 5x8	2	Y		20061127	KMYBA1BLS7C300261	
		27	90005-SA0-0000	BOLT, FLANGE SH 6x100	1	Y		20061127	KMYBA1BLS7C300261	
		28	90086-BA7-0000-EU	BOLT, CARBURETOR INSULATOR 6x20	1	Y		20061127	KMYBA1BLS7C300261	
		29	91304-BA7-0030	O-RING, 33.5x3.0	1	Y		20061127	KMYBA1BLS7C300261	
		30	S2700-06035-3E	BOLT, STUD 6x35	2	Y		20061127	KMYBA1BLS7C300261	
		31	S3500-BA1-0000	BOLT ASS'Y, SPECIAL	2	Y		20061127	KMYBA1BLS7C300261	
		32	S4301-10160	PIN, DOWEL 10x16	2	Y		20061127	KMYBA1BLS7C300261	
		33	S5701-06020-08	BOLT, FLANGE 6x20	1	Y		20061127	KMYBA1BLS7C300261	
		34	S6001-06016-00	BOLT, FLANGE SH 6x16	3	Y		20061127	KMYBA1BLS7C300261	
		35	S6001-06022-00	BOLT, FLANGE SH 6x22	2	Y		20061127	KMYBA1BLS7C300261	
		36	S8059-59936-00	PLUG, SPARK	1	Y		20061127	KMYBA1BLS7C300261	

E-02

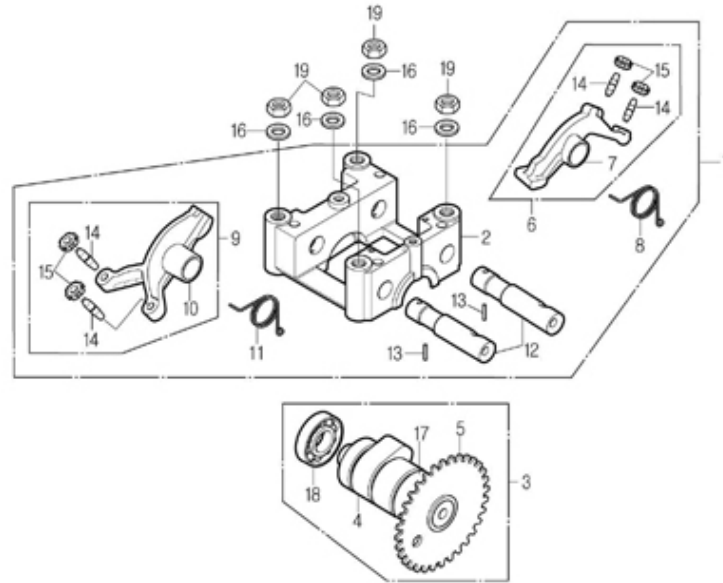
CYLINDER



Service item	FRT	Ref. No.	Part No.	Description	QTY	A/S	Exch	Start Date	Start FRM.No	End FRM.No
CYLINDER COMP.	3.2	1	12100-BA1-0000	CYLINDER COMP.	1	Y		20061127	KMYBA1BLS7C300261	
GASKET, CYLINDER	3.1	2	12191-BA1-RB00	GASKET, CYLINDER	1	Y		20061127	KMYBA1BLS7C300261	
		3	S4301-10160	PIN, DOWEL 10x16	2	Y		20061127	KMYBA1BLS7C300261	

E-03

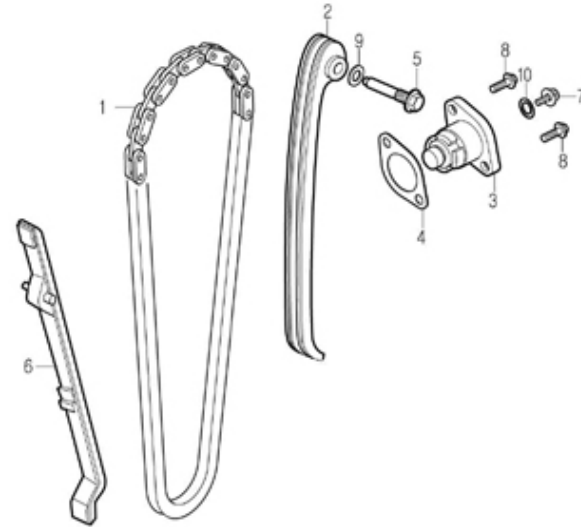
CAM SHAFT / VALVE



Service item	FRT	Ref. No.	Part No.	Description	QTY	A/S	Exch	Start Date	Start FRM.No	End FRM.No
HOLDER, CAM SHAFT	1.4	1	1221A-BA4-0000	HOLDER ASS'Y, CAM SHAFT	1	Y		20061127	KMYBA1BLS7C300261	
CAM SHAFT	1.2	2	12211-BA4-0000	HOLDER, CAM SHAFT	1	Y		20061127	KMYBA1BLS7C300261	
ARM, VALVE ROCKER (ADD 0.3 FOR EACH)		3	14100-BA4-0010	SHAFT COMP., CAM	1	Y		20061127	KMYBA1BLS7C300261	
		4	14101-BA1-0010-H1	SHAFT, CAM	1	N		20061127	KMYBA1BLS7C300261	
		5	14105-BA4-0000-H1	SPROCKET, CAM	1	N		20061127	KMYBA1BLS7C300261	
		6	1443A-BA1-0100	ARM ASS'Y, IN.VALVE ROCKER	1	Y		20061127	KMYBA1BLS7C300261	
		7	14431-BA1-0100	ARM, IN.VALVE ROCKER	1	N		20061127	KMYBA1BLS7C300261	
		8	14432-BA1-0000	SPRING, IN.ROCKER ARM	1	Y		20061127	KMYBA1BLS7C300261	
		9	1444A-BA1-0100	ARM ASS'Y, EX.VALVE ROCKER	1	Y		20061127	KMYBA1BLS7C300261	
		10	14441-BA1-0100	ARM, EX.VALVE ROCKER	1	N		20061127	KMYBA1BLS7C300261	
		11	14442-BA1-0000	SPRING, EX.ROCKER ARM	1	Y		20061127	KMYBA1BLS7C300261	
		12	14451-BA1-0000	SHAFT, ROCKER ARM	2	Y		20061127	KMYBA1BLS7C300261	
		13	24421-BA6-0000	PIN, GEAR SHIFT DRUM 4x13	2	Y		20061127	KMYBA1BLS7C300261	
		14	90012-CB2-0000	SCREW, TAPPET ADJUSTING	4	Y		20061127	KMYBA1BLS7C300261	
		15	90206-CB2-0000	NUT, TAPPET ADJUSTING	4	Y		20061127	KMYBA1BLS7C300261	
		16	90483-SE5-0000	WASHER 8mm	4	Y		20061127	KMYBA1BLS7C300261	
		17	91008-BA4-0000-M2	BEARING, RADIAL BALL 6002 C3	1	N		20061127	KMYBA1BLS7C300261	
		18	91009-BA1-0000	BEARING, RADIAL BALL 6002Z C3	1	N		20061127	KMYBA1BLS7C300261	
		19	S4050-08080	NUT, FLANGE, 8mm	4	Y		20061127	KMYBA1BLS7C300261	

E-04

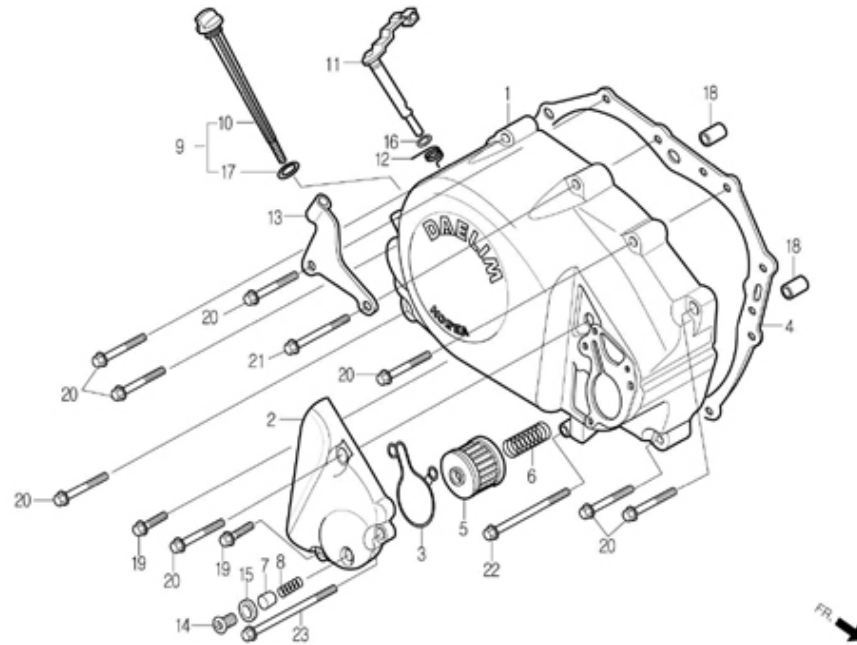
CAM CHAIN / TENSIONER



Service item	FRT	Ref. No.	Part No.	Description	QTY	A/S	Exch	Start Date	Start FRM.No	End FRM.No
CHAIN, CAM	1.6	1	14401-BA6-9610-M1	CHAIN, CAM (82RH2005-98M)	1	Y		20061127	KMYBA1BLS7C300261	
TENSIONER, CAM CHAIN	0.6	2	14500-BA6-9600	TENSIONER, CAM CHAIN	1	Y		20061127	KMYBA1BLS7C300261	
LIFTER ASS'Y, TENSIONER	0.4	3	14520-BA1-0000	LIFTER ASS'Y, TENSIONER	1	Y		20061127	KMYBA1BLS7C300261	
GUIDE, CAM CHAIN	2.7	4	14523-BA7-0000-EU	GASKET, TENSIONER LIFTER	1	Y		20061127	KMYBA1BLS7C300261	
		5	14535-BA6-9600	BOLT, TENSIONER PIVOT	1	Y		20061127	KMYBA1BLS7C300261	
		6	14550-BA6-9600	GUIDE, CAM CHAIN	1	Y		20061127	KMYBA1BLS7C300261	
		7	90005-BA7-9000	SCREW, PAN 6x6	1	Y		20061127	KMYBA1BLS7C300261	
		8	90091-BA7-0000	BOLT, FLANGE 6x16	2	Y		20061127	KMYBA1BLS7C300261	
		9	90405-BA6-0000	WASHER A, OIL PIPE JOINT SEALING	1	Y		20061127	KMYBA1BLS7C300261	
		10	91306-BA6-6900	O-RING, 1.5x9.5	1	Y		20061127	KMYBA1BLS7C300261	

E-05

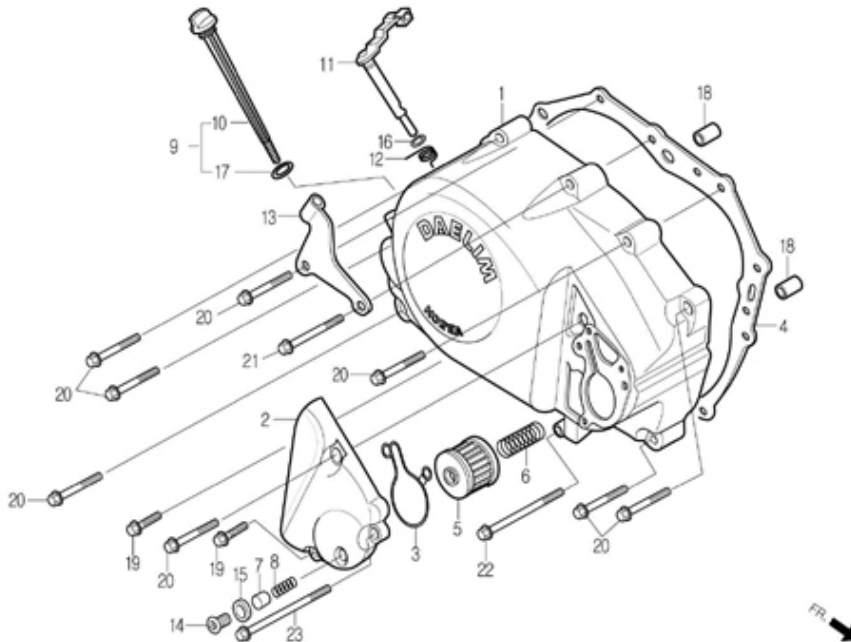
RIGHT CRANK CASE COVER



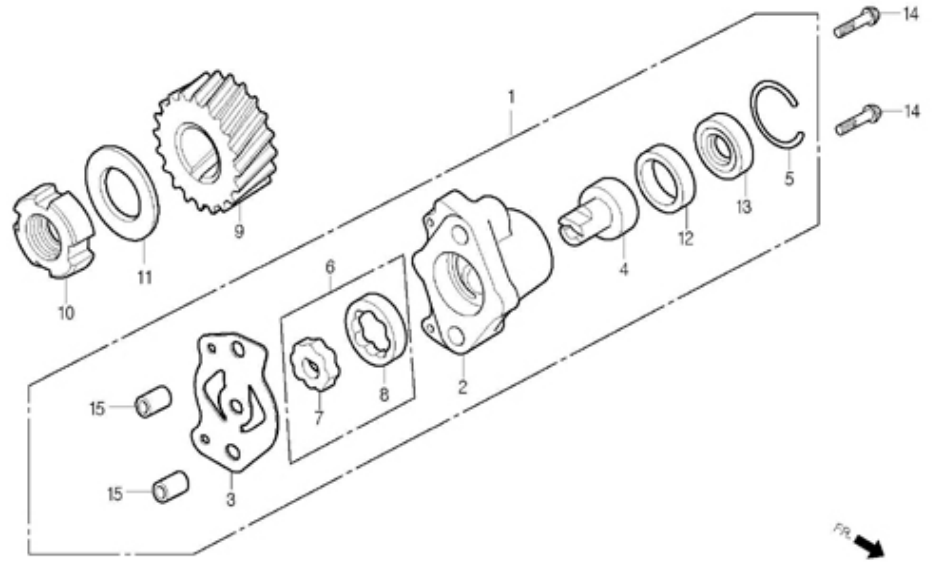
Service item	FRT	Ref. No.	Part No.	Description	QTY	A/S	Exch	Start Date	Start FRM.No	End FRM.No
COVER COMP., RH.CRANK CASE	0.9	1	11330-BA1-R300	COVER COMP., RH.CRANK CASE	1	Y		20061127	KMYBA1BLS7C300261	
COVER COMP., OIL FILTER	0.2	2	11333-BA1-0000	COVER COMP., OIL FILTER	1	Y		20061127	KMYBA1BLS7C300261	
ELEMENT,OIL FILTER	0.6	3	11335-BA6-9600	SEAL, OIL FILTER	1	Y		20061127	KMYBA1BLS7C300261	
GASKET, RH.COVER	0.7	4	11393-BA7-0000-EU	GASKET, RH.COVER	1	Y		20061127	KMYBA1BLS7C300261	
OIL SEAL 16x28x7		5	15412-BA1-0000	ELEMENT, OIL FILTER	1	Y		20061127	KMYBA1BLS7C300261	
LEVER COMP., CLUTCH (INCLUDE RELATIVE PARTS)		6	15414-BA6-9600	SPRING, OIL FILTER	1	Y		20061127	KMYBA1BLS7C300261	
		7	15415-BA6-9610	VALVE, RELIEF	1	Y		20061127	KMYBA1BLS7C300261	
		8	15416-BA6-9600	SPRING, RELIEF VALVE	1	Y		20061127	KMYBA1BLS7C300261	
		9	1565A-BA7-9000	GAUGE ASS'Y, OIL LEVEL	1	N	Y	20061127	KMYBA1BLS7C300261	KMYBA1BLS7C301286
			1565A-BA7-9010	GAUGE ASS'Y, OIL LEVEL	1	Y		20070213	KMYBA1BLS7C301287	
		10	15650-BA6-0000	GAUGE, OIL LEVEL	1	N		20061127	KMYBA1BLS7C300261	
		11	22810-BA7-9000	LEVER COMP., CLUTCH	1	Y		20061127	KMYBA1BLS7C300261	
		12	22815-BA6-7000	SPRING, CLUTCH LEVER	1	Y		20061127	KMYBA1BLS7C300261	
		13	22838-BA7-9000	HOLDER, CLUTCH WIRE	1	Y		20061127	KMYBA1BLS7C300261	
		14	90009-BA7-9000	BOLT, SOCKET 10mm	1	Y		20061127	KMYBA1BLS7C300261	
		15	90443-BA6-0000	WASHER, SEALING 10mm	1	Y		20061127	KMYBA1BLS7C300261	
		16	91303-BA6-1000	O-RING, 9mm	1	Y		20061127	KMYBA1BLS7C300261	
		17	91307-CB2-0000	O-RING, 18x3	1	N	Y	20061127	KMYBA1BLS7C300261	KMYBA1BLS7C301286
			91307-CB2-0010	O-RING, 18x3	1	Y		20070213	KMYBA1BLS7C301287	
		18	S4301-08120	PIN, DOWEL 8x12	2	Y		20061127	KMYBA1BLS7C300261	
		19	S6001-06020-00	BOLT, FLANGE SH 6x20	2	Y		20061127	KMYBA1BLS7C300261	

E-05

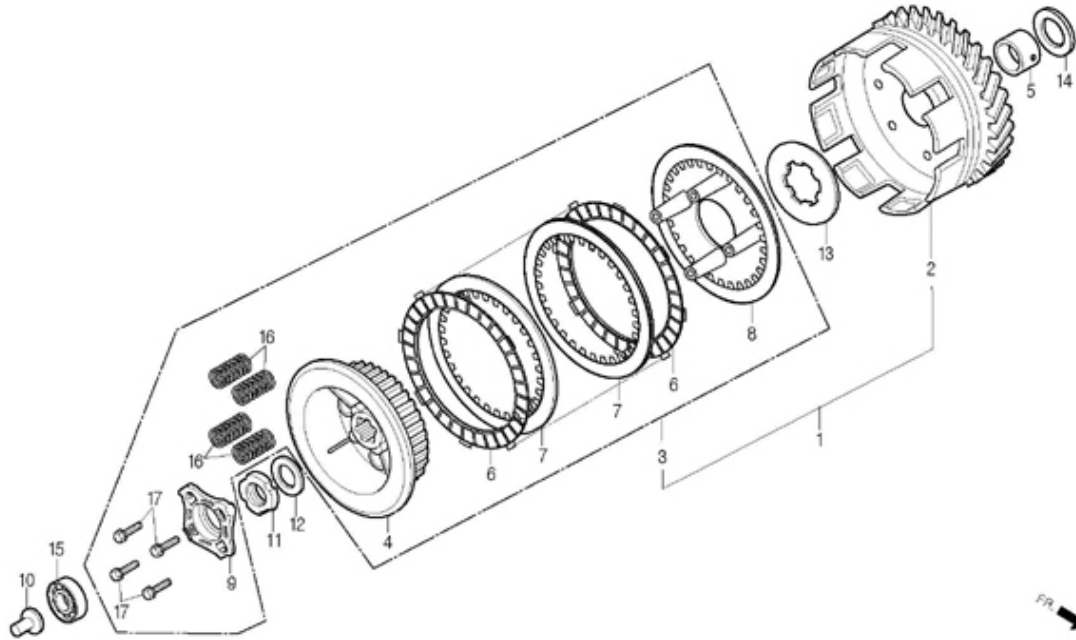
RIGHT CRANK CASE COVER



Service item	FRT	Ref. No.	Part No.	Description	QTY	A/S	Exch	Start Date	Start FRM.No	End FRM.No
		20	S6001-06040-00	BOLT, FLANGE SH 6x40	9	Y		20061127	KMYBA1BLS7C300261	
		21	S6001-06055-00	BOLT, FLANGE SH 6x55	1	Y		20061127	KMYBA1BLS7C300261	
		22	S6001-06065-00	BOLT, FLANGE SH 6x65	1	Y		20061127	KMYBA1BLS7C300261	
		23	S6001-06095-00	BOLT, FLANGE SH 6x95	1	Y		20061127	KMYBA1BLS7C300261	

E-06**OIL PUMP**

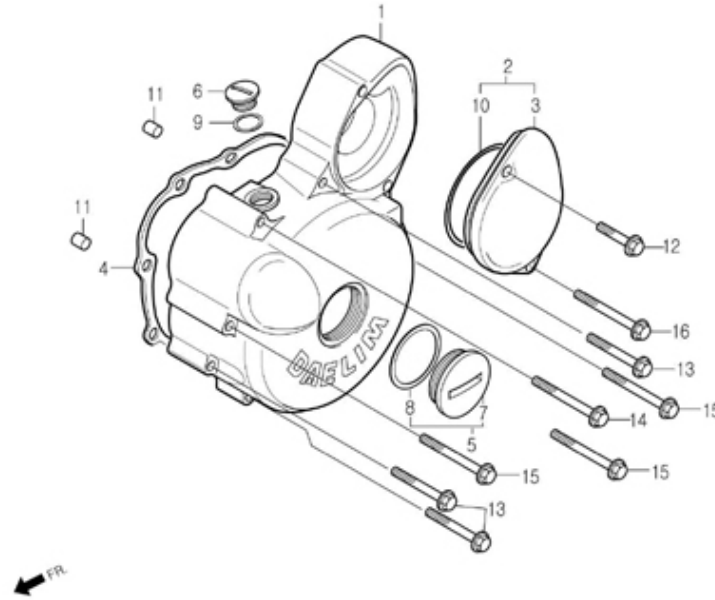
Service item	FRT	Ref. No.	Part No.	Description	QTY	A/S	Exch	Start Date	Start FRM.No	End FRM.No
BODY, OIL PUMP	0.9	1	15100-BA1-0100	PUMP ASS'Y, OIL	1	Y		20061127	KMYBA1BLS7C300261	
	0.8	2	15111-BA1-0000	BODY, OIL PUMP	1	N		20061127	KMYBA1BLS7C300261	
GEAR, PRIMARY DRIVE A		3	15113-BA1-0000	PLATE, OIL PUMP	1	N		20061127	KMYBA1BLS7C300261	
OIL SEAL 14x22x5		4	15132-BA6-9610	SHAFT, OIL PUMP	1	N		20061127	KMYBA1BLS7C300261	
		5	15133-BA6-9600	RING, SET	1	N		20061127	KMYBA1BLS7C300261	
		6	1533A-BA1-0100	ROTOR ASS'Y, OIL PUMP	1	Y		20061127	KMYBA1BLS7C300261	
		7	15331-BA1-0100	ROTOR, OIL PUMP INNER	1	N		20061127	KMYBA1BLS7C300261	
		8	15332-BA1-0000	ROTOR, OIL PUMP OUTER	1	N		20061127	KMYBA1BLS7C300261	
		9	23121-BA6-9600	GEAR, PRIMARY DRIVE A	1	Y		20061127	KMYBA1BLS7C300261	
		10	90231-BA6-8300	NUT, LOCK 16mm	1	Y		20061127	KMYBA1BLS7C300261	
		11	90434-BA6-9300	WASHER, 16mm	1	Y		20061127	KMYBA1BLS7C300261	
		12	90466-BA6-9600	WASHER, 14mm	1	N		20061127	KMYBA1BLS7C300261	
		13	91203-BA6-0030	SEAL, OIL 14x22x5	1	N		20061127	KMYBA1BLS7C300261	
		14	S6001-06032-00	BOLT, FLANGE SH 6x32	2	Y		20061127	KMYBA1BLS7C300261	
		15	S6220-40100	ROLLER, 4x10	2	N		20061127	KMYBA1BLS7C300261	

E-07**CLUTCH**

Service item	FRT	Ref. No.	Part No.	Description	QTY	A/S	Exch	Start Date	Start FRM.No	End FRM.No
OUTER COMP., CLUTCH	0.9	1	2210A-BA1-0100	CLUTCH ASS'Y	1	Y		20061127	KMYBA1BLS7C300261	
.CENTER, CLUTCH	0.7	2	22100-BA1-0000	OUTER COMP., CLUTCH	1	Y		20061127	KMYBA1BLS7C300261	
.DISK, CLUTCH FRICTION		3	2212A-BA1-0000	INNER ASS'Y, CLUTCH	1	Y		20061127	KMYBA1BLS7C300261	
.PLATE, CLUTCH PRESSURE		4	22121-BA1-0000	CENTER, CLUTCH	1	N		20061127	KMYBA1BLS7C300261	
PLATE, CLUTCH LIFTER		5	22131-BA6-9600	GUIDE, CLUTCH OUTER	1	Y		20061127	KMYBA1BLS7C300261	
.SPRING, CLUTCH(ONE OR ALL)		6	22201-BA6-1000	DISK, CLUTCH FRICTION	6	Y		20061127	KMYBA1BLS7C300261	
		7	22311-BA6-0000	PLATE, CLUTCH	5	Y		20061127	KMYBA1BLS7C300261	
		8	22350-BA1-0000	PLATE, CLUTCH PRESSURE	1	N		20061127	KMYBA1BLS7C300261	
		9	22361-BA7-0000	PLATE, CLUTCH LIFTER	1	N		20061127	KMYBA1BLS7C300261	
		10	22366-BA6-9300	ROD, CLUTCH LIFTER	1	Y		20061127	KMYBA1BLS7C300261	
		11	90231-BA6-8300	NUT, LOCK 16mm	1	Y		20061127	KMYBA1BLS7C300261	
		12	90434-BA6-9300	WASHER, 16mm	1	Y		20061127	KMYBA1BLS7C300261	
		13	90461-BA6-0000	WASHER B, SPLINE 20mm	1	Y		20061127	KMYBA1BLS7C300261	
		14	90465-BA6-9600	WASHER, THRUST 20mm	1	Y		20061127	KMYBA1BLS7C300261	
		15	91008-BA6-0000	BEARING, RADIAL BALL 16003	1	Y		20061127	KMYBA1BLS7C300261	
		16	S5014-75110	SPRING, CLUTCH	4	Y		20061127	KMYBA1BLS7C300261	
		17	S5701-06025-08	BOLT, FLANGE 6x25	4	N		20061127	KMYBA1BLS7C300261	

E-08

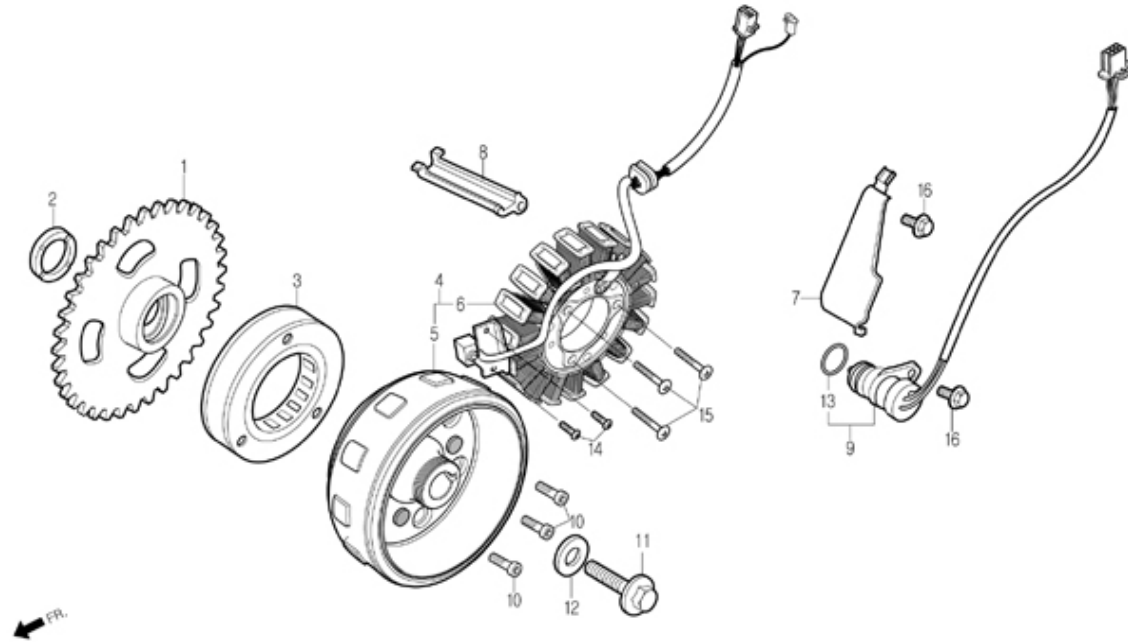
LEFT CRANK CASE COVER



Service item	FRT	Ref. No.	Part No.	Description	QTY	A/S	Exch	Start Date	Start FRM.No	End FRM.No
COVER, LH.CRANK CASE	0.8	1	11340-BA1-0000	COVER, LH.CRANK CASE	1	Y		20061127	KMYBA1BLS7C300261	
COVER, REDUCTION GEAR	0.2	2	1135A-BA1-0000	COVER ASS'Y, REDUCTION GEAR	1	Y		20061127	KMYBA1BLS7C300261	
GASKET, LH.CRANK CASE	0.6	3	11355-BA1-0000	COVER, REDUCTION GEAR	1	N		20061127	KMYBA1BLS7C300261	
		4	11395-BA7-0000-EU	GASKET, LH.CRANK CASE	1	Y		20061127	KMYBA1BLS7C300261	
		5	9008A-BA5-0000	CAP ASS'Y, 30mm (AL)	1	Y		20061127	KMYBA1BLS7C300261	
		6	90084-BA5-0000	CAP, AC GENERATOR	1	Y		20061127	KMYBA1BLS7C300261	
		7	90087-BA5-0000	CAP, 30mm	1	N		20061127	KMYBA1BLS7C300261	
		8	91302-BA7-0050	O-RING, 27.4x2.4	1	N		20061127	KMYBA1BLS7C300261	
		9	91303-CB2-1000	O-RING, 13.8x2.5	1	Y		20061127	KMYBA1BLS7C300261	
		10	91359-BA6-0030	O-RING, 63.0x3.0	1	N		20061127	KMYBA1BLS7C300261	
		12	S6001-06020-00	BOLT, FLANGE SH 6x20	1	Y		20061127	KMYBA1BLS7C300261	
		13	S6001-06040-00	BOLT, FLANGE SH 6x40	3	Y		20061127	KMYBA1BLS7C300261	
		14	S6001-06055-00	BOLT, FLANGE SH 6x55	1	Y		20061127	KMYBA1BLS7C300261	
		15	S6001-06065-00	BOLT, FLANGE SH 6x65	3	Y		20061127	KMYBA1BLS7C300261	
		16	S6001-06070-00	BOLT, FLANGE SH 6x70	1	Y		20061127	KMYBA1BLS7C300261	

E-09

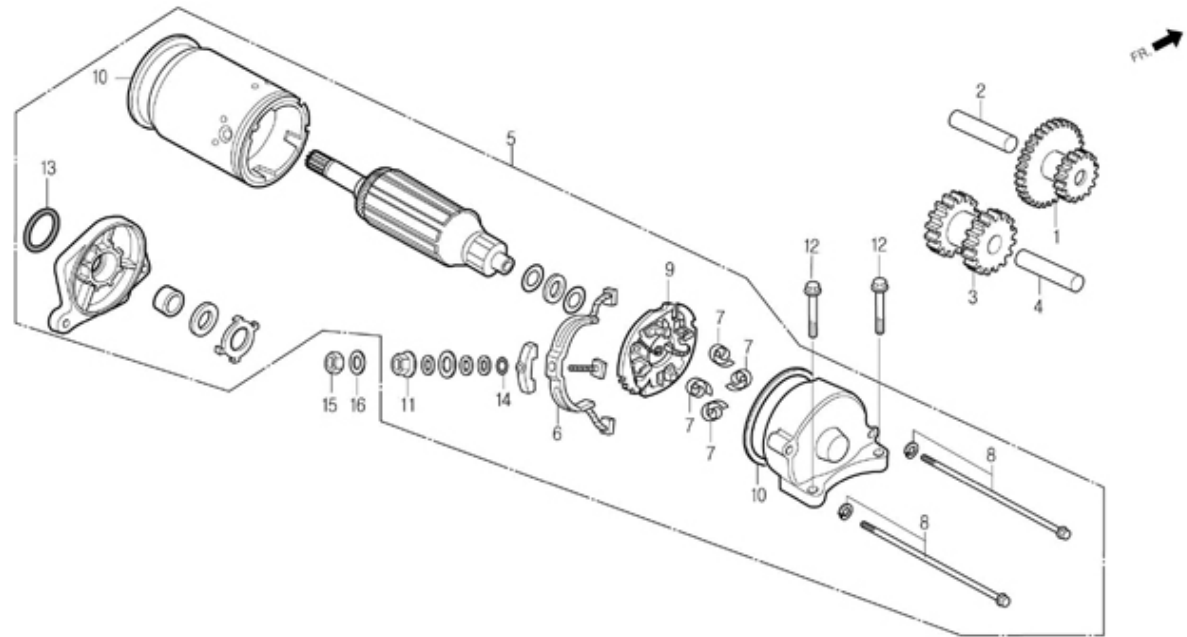
GENERATOR



Service item	FRT	Ref. No.	Part No.	Description	QTY	A/S	Exch	Start Date	Start FRM.No	End FRM.No
GEAR COMP., STARTER DRIVEN	0.8	1	28110-BA6-9610	GEAR COMP., START DRIVEN	1	Y		20061127	KMYBA1BLS7C300261	
ONE WAY CLUTCH ASS'Y, STARTER	1.0	2	28114-BA6-9300	COLLAR, STARTER DRIVEN GEAR	1	Y		20061127	KMYBA1BLS7C300261	
FLYWHEEL COMP.	0.9	3	28120-BA6-0050	CLUTCH ASS'Y, START ONE WAY	1	Y		20061127	KMYBA1BLS7C300261	
STATOR COMP.	0.3	4	31100-BA1-R300	AC.GENERATOR ASS'Y	1	Y		20061127	KMYBA1BLS7C300261	
SWITCH ASS'Y, CHANGE		5	31110-BA1-R300	FLYWHEEL COMP.	1	Y		20061127	KMYBA1BLS7C300261	
		6	31120-BA1-R300	STATOR COMP.	1	Y		20061127	KMYBA1BLS7C300261	
		7	32976-BA6-8300	CLAMP, AC GENERATOR CORD	1	Y		20061127	KMYBA1BLS7C300261	
		8	32976-BA6-9600	GUIDE, AC GENERATOR CORD	1	Y		20061127	KMYBA1BLS7C300261	
		9	35759-BA1-1000	SWITCH ASS'Y, CHANGE	1	Y		20061127	KMYBA1BLS7C300261	
		10	90010-BA6-0000	BOLT, SOCKET 8x18	3	Y		20061127	KMYBA1BLS7C300261	
		11	90023-BA6-9600	BOLT, ROTOR SETTING 10x36	1	Y		20061127	KMYBA1BLS7C300261	
		12	90403-BA6-9300	WASHER, 10x24	1	Y		20061127	KMYBA1BLS7C300261	
		13	91305-BA6-0030	O-RING, 16.5x2.5	1	N		20061127	KMYBA1BLS7C300261	
		14	S3500-05016-0A	SCREW, PAN 5x16	2	N	Y	20061127	KMYBA1BLS7C300261	KMYBA1BLS8C302498
			S3500-05016-0H	SCREW, PAN 5x16	2	Y		20070701	KMYBA1BLS8C302499	
		15	S3500-05032-0A	SCREW, PAN 5x32	3	Y		20061127	KMYBA1BLS7C300261	
		16	S6001-06014-00	BOLT, FLANGE SH 6x14	2	Y		20061127	KMYBA1BLS7C300261	

E-10

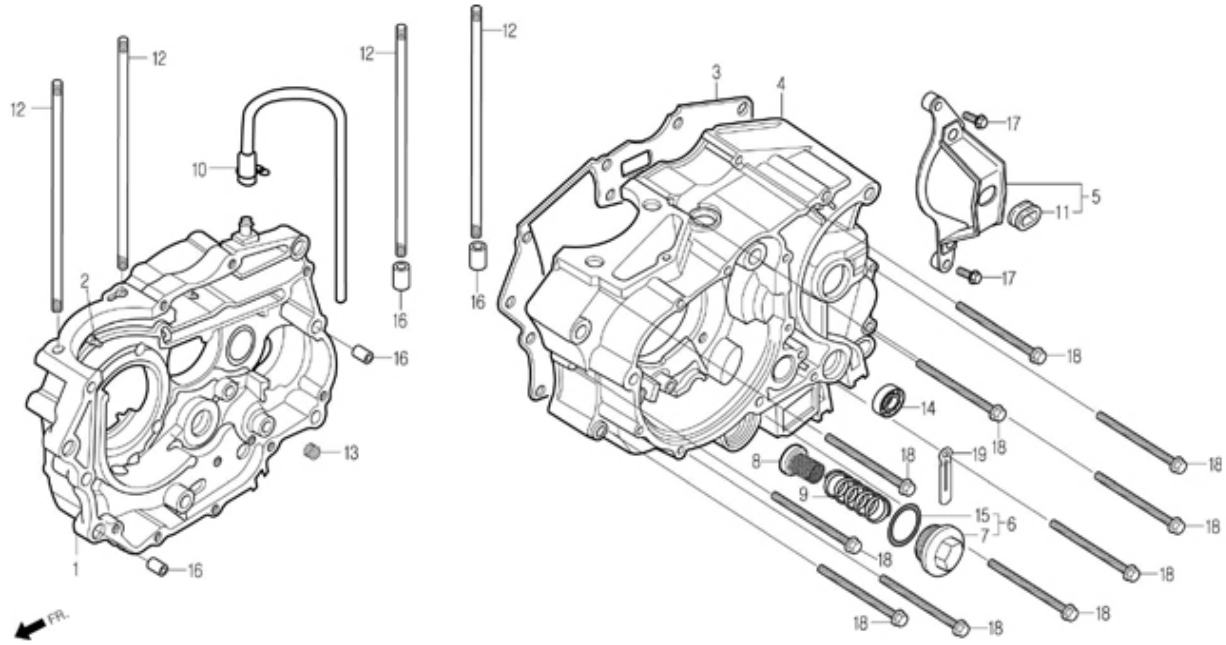
STARTER MOTOR



Service item	FRT	Ref. No.	Part No.	Description	QTY	A/S	Exch	Start Date	Start FRM.No	End FRM.No
GEAR COMP., REDUCTION	0.3	1	28130-BA6-9600	GEAR COMP., REDUCTION	1	Y		20061127	KMYBA1BLS7C300261	
.MOTOR ASS'Y, STARTER	0.7	2	28132-BA6-9300	SHAFT, REDUCTION GEAR	1	Y		20061127	KMYBA1BLS7C300261	
GEAR COMP., IDLE	0.6	3	28140-BA6-9600	GEAR COMP., IDLE	1	Y		20061127	KMYBA1BLS7C300261	
BRUSH, TERMINAL SETTING		4	28142-BA6-9000	SHAFT, IDLE GEAR	1	Y		20061127	KMYBA1BLS7C300261	
HOLDER SET, BRUSH		5	31200-BA7-9000	MOTOR ASS'Y, START	1	Y		20061127	KMYBA1BLS7C300261	
		6	31201-BA7-0000	BRUSH, TERMINAL SETTING	1	N		20061127	KMYBA1BLS7C300261	
		7	31204-BA6-0000	SPRING, CARBON BRUSH	4	N		20061127	KMYBA1BLS7C300261	
		8	31205-BA7-0000	BOLT SETTING	2	N		20061127	KMYBA1BLS7C300261	
		9	31206-BA7-0000	HOLDER SET, BRUSH	1	N		20061127	KMYBA1BLS7C300261	
		10	31207-CB2-7110-M1	RING, SEAL	2	N		20061127	KMYBA1BLS7C300261	
		11	90071-BA6-0000	NUT, WASHER 6mm	1	N		20061127	KMYBA1BLS7C300261	
		12	90117-BA6-0000	BOLT, FLANGE 6x28	2	Y		20061127	KMYBA1BLS7C300261	
		13	91309-BA6-0030	O-RING, 24.4x3.1	1	N		20061127	KMYBA1BLS7C300261	
		14	91320-BA6-0000	O-RING	1	N		20061127	KMYBA1BLS7C300261	
		15	S4002-06080-0S	NUT, HEX 6mm(Y)	1	Y		20061127	KMYBA1BLS7C300261	
		16	S4101-06800	WASHER, PLAIN 6mm	1	Y		20061127	KMYBA1BLS7C300261	

E-11

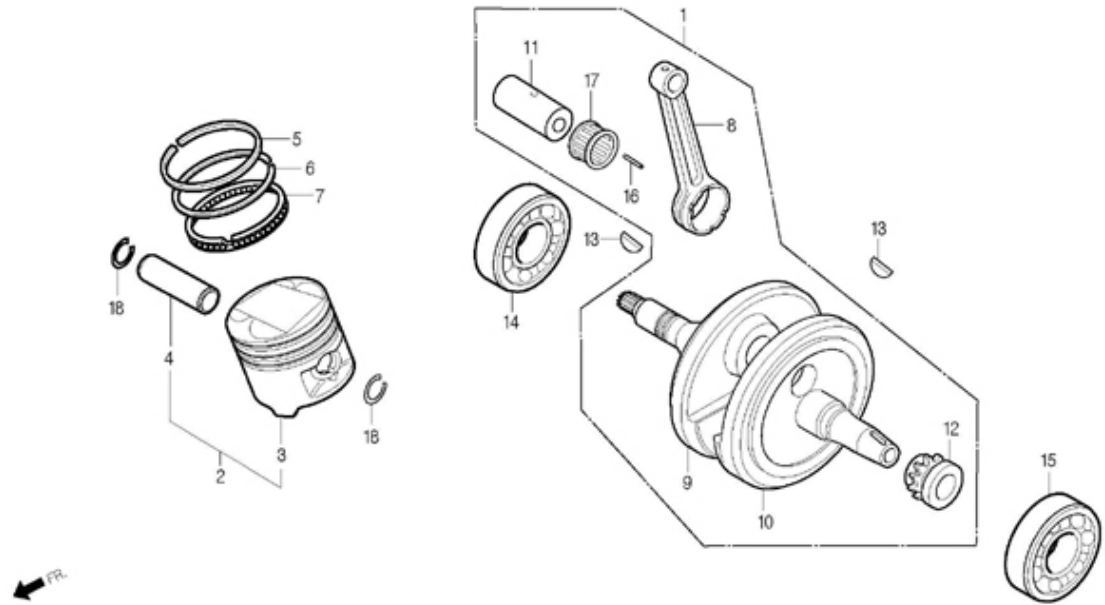
CRANK CASE



Service item	FRT	Ref. No.	Part No.	Description	QTY	A/S	Exch	Start Date	Start FRM.No	End FRM.No
CASE COMP., RH.CRANK	0.5	1	11100-BA1-0000	CASE COMP., RH.CRANK	1	Y		20061127	KMYBA1BLS7C300261	
GASKET, CRANK CASE	4.5	2	11105-BA1-0000	JET, PISTON COOLING	1	Y		20061127	KMYBA1BLS7C300261	
CASE COMP., LH.CRANK	5.5	3	11191-BA7-0000-EU	GASKET, CRANK CASE	1	Y		20061127	KMYBA1BLS7C300261	
SCREEN, OIL FILTER	0.2	4	11200-BA7-9000	CASE COMP., LH.CRANK	1	Y		20061127	KMYBA1BLS7C300261	
(INCLUDE RELATIVE PARTS)		5	11365-BA1-0000	GUIDE COMP., DRIVE CHAIN	1	Y		20061127	KMYBA1BLS7C300261	
		6	1236A-BA6-0000	CAP ASS'Y, TAPPET ADJUSTING HOLE	1	Y		20061127	KMYBA1BLS7C300261	
		7	12361-BA6-0000	CAP, TAPPET ADJUSTING HOLE	1	N		20061127	KMYBA1BLS7C300261	
		8	15421-BA6-0000	SCREEN, OIL FILTER	1	Y		20061127	KMYBA1BLS7C300261	
		9	15426-BA6-0000	SPRING, OIL FILTER SCREEN	1	Y		20061127	KMYBA1BLS7C300261	
		10	15761-BA7-9000	TUBE, BREATHER	1	Y		20061127	KMYBA1BLS7C300261	
		11	83551-HD2-8900	GROMMET, SIDE COVER	1	N		20061127	KMYBA1BLS7C300261	
		12	90031-BA6-0100	BOLT A, CYLINDER STUD	4	Y		20061127	KMYBA1BLS7C300261	
		13	91008-BA7-0030	BEARING, NEEDLE 21mm	1	Y		20061127	KMYBA1BLS7C300261	
		14	91206-BA6-0130	SEAL, OIL 14x28x7	1	Y		20061127	KMYBA1BLS7C300261	
		15	91303-BA6-0000	O-RING, 35x3	1	N		20061127	KMYBA1BLS7C300261	
		16	S4301-10160	PIN, DOWEL 10x16	4	Y		20061127	KMYBA1BLS7C300261	
		17	S6001-06025-00	BOLT, FLANGE SH 6x25	2	Y		20061127	KMYBA1BLS7C300261	
		18	S6001-06050-00	BOLT, FLANGE SH 6x50	10	Y		20061127	KMYBA1BLS7C300261	
		19	91410-BA6-0000	CLIP, 2x60	1	Y		20061127	KMYBA1BLS7C300261	

E-12

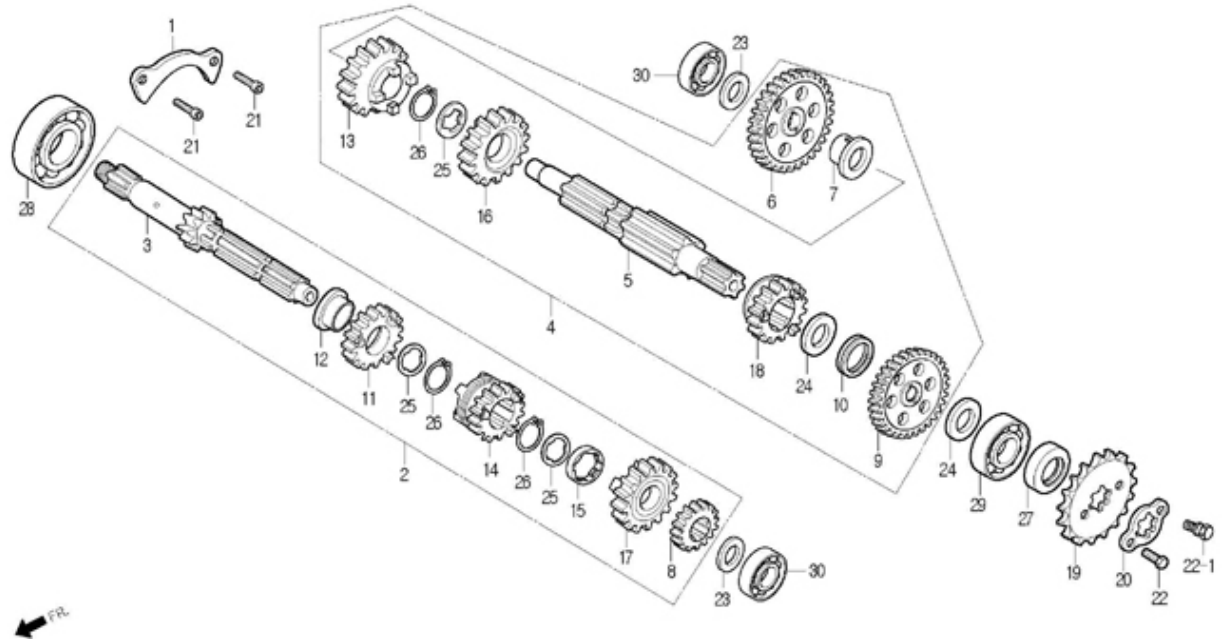
CRANK SHAFT / PISTON



Service item	FRT	Ref. No.	Part No.	Description	QTY	A/S	Exch	Start Date	Start FRM.No	End FRM.No
SHAFT COMP., CRANK	5.3	1	13000-BA6-9600	SHAFT COMP., CRANK	1	Y		20061127	KMYBA1BLS7C300261	
.BEARING, RADIAL BALL 6207	3.3	2	1310A-BA1-0100	PISTON SET	1	Y		20061127	KMYBA1BLS7C300261	
RING, PISTON	3.2	3	13101-BA1-0100	PISTON	1	N		20061127	KMYBA1BLS7C300261	
.PISTON	4.7	4	13111-BA6-9300	PIN, PISTON	1	N		20061127	KMYBA1BLS7C300261	
PIN, PISTON		5	13121-BA6-9600	RING, PISTON TOP	1	Y		20061127	KMYBA1BLS7C300261	
ROD, CONNECTING(ACTUAL TIME) (INCLUDE RELATIVE PARTS)		6	13131-BA6-9600	RING, PISTON 2ND	1	Y		20061127	KMYBA1BLS7C300261	
BEARING, RADIAL BALL 63/28		7	13141-BA6-9620-M2	RING, PISTON OIL	1	Y		20061127	KMYBA1BLS7C300261	
		8	13201-BA6-9600-H1	ROD, CONNECTING	1	N		20061127	KMYBA1BLS7C300261	
		9	13311-BA6-9600-H1	CRANK SHAFT, RH.	1	N		20061127	KMYBA1BLS7C300261	
		10	13321-BA6-9600-H1	CRANK SHAFT, LH.	1	N		20061127	KMYBA1BLS7C300261	
		11	13381-BA6-9000-H1	PIN, CRANK	1	N		20061127	KMYBA1BLS7C300261	
		12	14311-BA6-9600-H1	SPROCKET, TIMMING	1	N		20061127	KMYBA1BLS7C300261	
		13	90741-BA6-9600	KEY, WOODRUFF, 25x14x4	2	Y		20061127	KMYBA1BLS7C300261	
		14	91001-BA6-9310-M1	BEARING, BALL 63/28 RCX-23	1	Y		20061127	KMYBA1BLS7C300261	
		15	91005-BA6-9610-M1	BRG. BALL RADIAL 6207	1	Y		20061127	KMYBA1BLS7C300261	
		16	91102-BA6-0030	ROLLER 4x14.8A	18	N		20061127	KMYBA1BLS7C300261	
		17	91105-BA6-0030	RETAINER, CON-ROD LARGE END	1	N		20061127	KMYBA1BLS7C300261	
		18	S4601-15000	CLIP, PISTON PIN 15mm	2	Y		20061127	KMYBA1BLS7C300261	

E-13

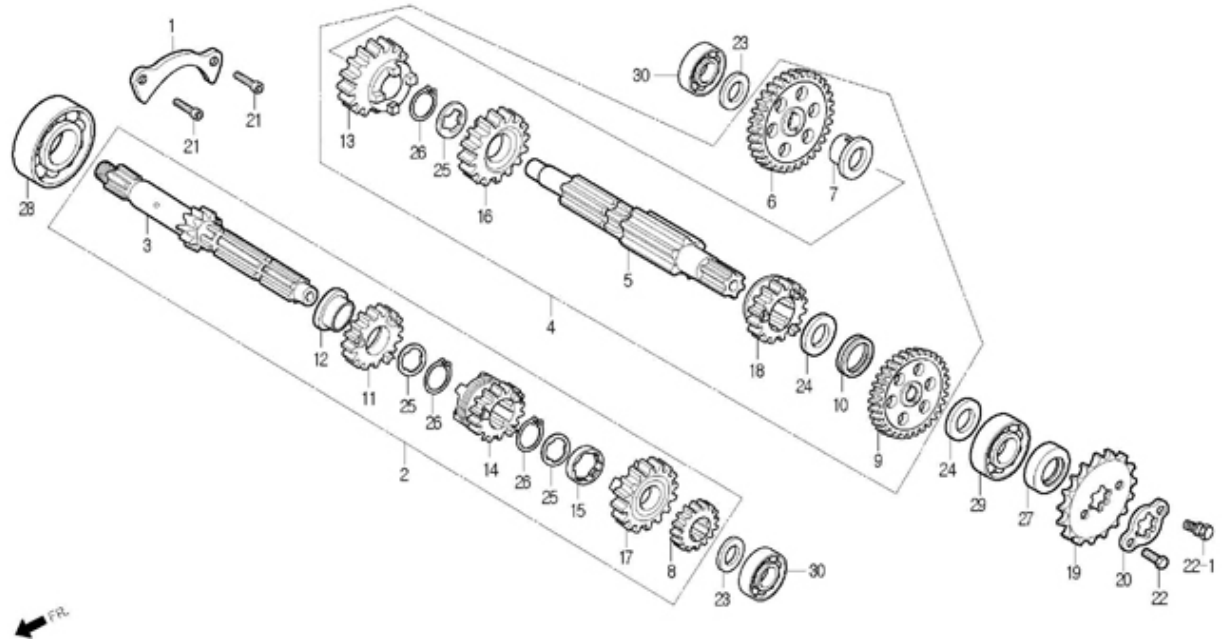
TRANSMISSION



Service item	FRT	Ref. No.	Part No.	Description	QTY	A/S	Exch	Start Date	Start FRM.No	End FRM.No
SHAFT COMP., MAIN (INCLUDE RELATIVE PARTS)	4.7	1	11108-BA6-9000	PLATE, BEARING SETTING	1	Y		20061127	KMYBA1BLS7C300261	
	0.2	2	2321A-BA1-0000	SHAFT ASS'Y, MAIN	1	Y		20061127	KMYBA1BLS7C300261	
SHAFT, COUNTER (INCLUDE RELATIVE PARTS)		3	23210-BA1-0000	SHAFT COMP., MAIN	1	Y		20061127	KMYBA1BLS7C300261	
		4	2322A-BA7-9010	SHAFT ASS'Y, COUNTER	1	Y		20061127	KMYBA1BLS7C300261	
SPROCKET, DRIVE		5	23221-BA7-9000	SHAFT, COUNTER TRANSMISSION(BW)	1	Y		20061127	KMYBA1BLS7C300261	
		6	23426-BA1-0000	GEAR, C-1	1	Y		20061127	KMYBA1BLS7C300261	
		7	23427-BA6-9600	COLLAR, C-1	1	Y		20061127	KMYBA1BLS7C300261	
		8	23441-BA6-0000	GEAR, M-2	1	Y		20061127	KMYBA1BLS7C300261	
		9	23451-BA7-9000	GEAR, C-2	1	Y		20061127	KMYBA1BLS7C300261	
		10	23452-BA6-9000	BUSH, 20x23x9	1	Y		20061127	KMYBA1BLS7C300261	
		11	23461-BA1-0000	GEAR, M-3	1	Y		20061127	KMYBA1BLS7C300261	
		12	23462-BA6-9600	BUSH, 20mm	1	Y		20061127	KMYBA1BLS7C300261	
		13	23471-BA1-0000	GEAR, C-3	1	Y		20061127	KMYBA1BLS7C300261	
		14	23481-BA6-9600	GEAR, M-4	1	Y		20061127	KMYBA1BLS7C300261	
		15	23485-BA6-0000	BUSH, MAIN SHAFT (23x10)	1	Y		20061127	KMYBA1BLS7C300261	
		16	23491-BA6-9600	GEAR, C-4	1	Y		20061127	KMYBA1BLS7C300261	
		17	23501-BA6-9610	GEAR, M-5	1	Y		20061127	KMYBA1BLS7C300261	
		18	23511-BA7-9000	GEAR, C-5	1	Y		20061127	KMYBA1BLS7C300261	
		19	23801-BA6-8900-M1	SPROCKET, DRIVE (14T: LONCIN)	1	Y		20061127	KMYBA1BLS7C300261	
		20	23811-BA6-6010	PLATE A2, FIXING	1	Y		20061127	KMYBA1BLS7C300261	
		21	90001-BA6-9300	BOLT, SOCKET 6x16	2	Y		20061127	KMYBA1BLS7C300261	

E-13

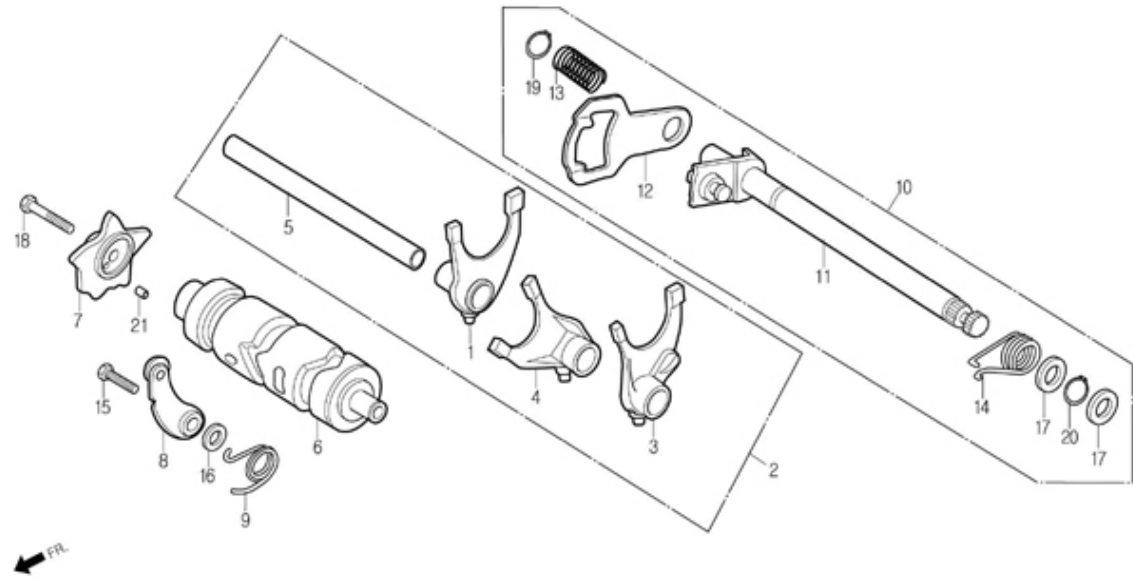
TRANSMISSION



Service item	FRT	Ref. No.	Part No.	Description	QTY	A/S	Exch	Start Date	Start FRM.No	End FRM.No
		22	90084-CB2-0000	BOLT, DRIVE SPROCKET FIXING	1	Y		20061127	KMYBA1BLS7C300261	
		22-1	90085-BA7-0000-EU	BOLT, DRIVE SPROCKET FIXING 6x9	1	Y		20061127	KMYBA1BLS7C300261	
		23	90451-BA6-0000	WASHER, THRUST 15mm	2	Y		20061127	KMYBA1BLS7C300261	
		24	90454-BA6-0000	WASHER, THRUST 20mm	2	N		20061127	KMYBA1BLS7C300261	
		25	90455-BA6-0000	WASHER A, SPLINE 20mm	3	N		20061127	KMYBA1BLS7C300261	
		26	90605-BA6-0000	SET RING, 20mm	3	N		20061127	KMYBA1BLS7C300261	
		27	91201-BA6-0330	SEAL, OIL 20x34x7	1	Y		20061127	KMYBA1BLS7C300261	
		28	S6100-60040-00	BEARING, RADIAL BALL 6004	1	Y		20061127	KMYBA1BLS7C300261	
		29	S6100-62040-00	BEARING, RADIAL BALL 6204	1	Y		20061127	KMYBA1BLS7C300261	
		30	S6120-62020-00	BEARING, RADIAL BALL 6202Z	2	Y		20061127	KMYBA1BLS7C300261	

E-14

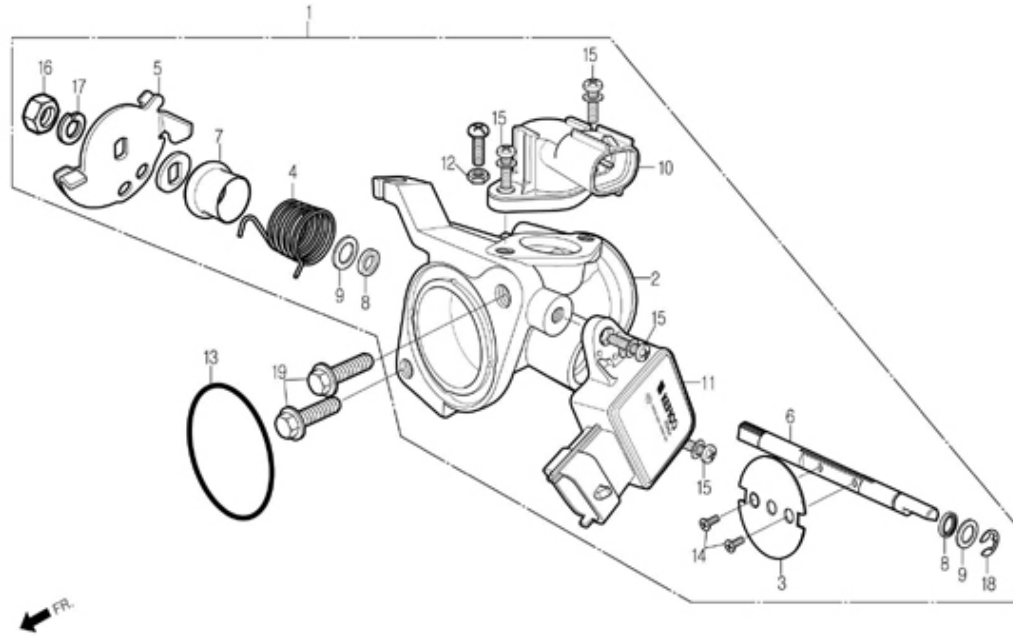
SHIFT DRUM / SHIFT FORK



Service item	FRT	Ref. No.	Part No.	Description	QTY	A/S	Exch	Start Date	Start FRM.No	End FRM.No
FORK, GEAR SHIFT(ONE OR ALL) .DRUM, GEAR SHIFT	4.7	1	24211-BA6-0000	FORK, RH.GEAR SHIFT	1	Y		20061127	KMYBA1BLS7C300261	
		2	2422A-BA6-9600	FORK ASS'Y, GEAR SHIFT	1	Y		20061127	KMYBA1BLS7C300261	
CAM, GEAR SHIFT .STOPPER COMP., GEAR SHIFT DRUM (INCLUDE RELATIVE PARTS) .PLATE, GEAR SHIFT	0.9	3	24221-BA6-9600	FORK, LH.GEAR SHIFT	1	Y		20061127	KMYBA1BLS7C300261	
		4	24231-BA6-0100	FORK, CENTER GEAR SHIFT	1	Y		20061127	KMYBA1BLS7C300261	
SPINDLE COMP., GEAR SFIKT (INCLUDE RELATIVE PARTS)	1.0	5	24241-BA6-9600	SHAFT, GEAR SHIFT FORK GUIDE	1	N		20061127	KMYBA1BLS7C300261	
		6	24301-BA6-9600	DRUM, GEAR SHIFT	1	Y		20061127	KMYBA1BLS7C300261	
		7	24411-BA6-0000	CAM, GEAR SHIFT	1	Y		20061127	KMYBA1BLS7C300261	
		8	24430-BA6-9000	STOPPER COMP., GEAR SHIFT DRUM	1	Y		20061127	KMYBA1BLS7C300261	
		9	24435-BA7-8900	SPRING, SHIFT DRUM STOPPER	1	Y		20061127	KMYBA1BLS7C300261	
		10	2461A-BA6-7600	SPINDLE ASS'Y, GEAR SHIFT	1	Y		20061127	KMYBA1BLS7C300261	
		11	24610-BA6-7600	SPINDLE COMP., GEAR SHIFT	1	N		20061127	KMYBA1BLS7C300261	
		12	24621-BA6-7600	PLATE, GEAR SHIFT	1	Y		20061127	KMYBA1BLS7C300261	
		13	24631-BA6-0000	SPRING, GEAR SHIFT PLATE	1	Y		20061127	KMYBA1BLS7C300261	
		14	24651-BA6-0000	SPRING, GEAR SHIFT RETURN	1	Y		20061127	KMYBA1BLS7C300261	
		15	90023-BA6-9000	PIVOT, GEAR SHIFT DRUM STOPPER	1	Y		20061127	KMYBA1BLS7C300261	
		16	90408-BA6-9000	WASHER, 6mm	1	Y		20061127	KMYBA1BLS7C300261	
		17	90451-CB2-0000	WASHER, THRUST 14mm	2	Y		20061127	KMYBA1BLS7C300261	
		18	S2101-06025-0H	BOLT, HEX 6x25	1	Y		20061127	KMYBA1BLS7C300261	
		19	S4510-12000	CIRCLIP, EXTERNAL 12mm	1	Y		20061127	KMYBA1BLS7C300261	
20	S4510-14000	CIRCLIP, EXTERNAL 14mm	1	Y		20061127	KMYBA1BLS7C300261			
21	S6220-40100	ROLLER, 4x10	1	Y		20061127	KMYBA1BLS7C300261			

E-15

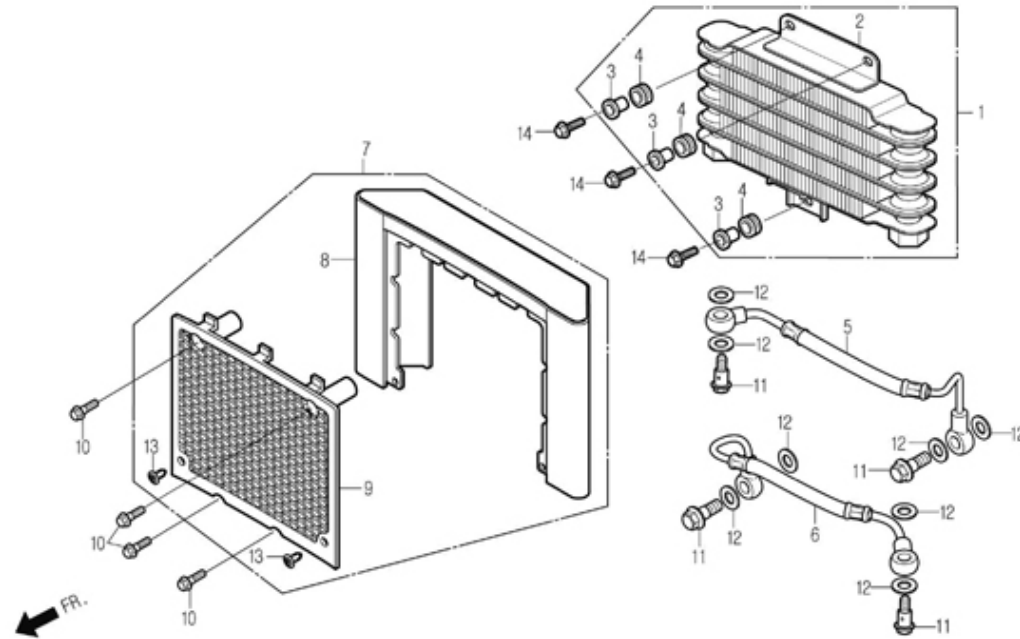
THROTTLE BODY



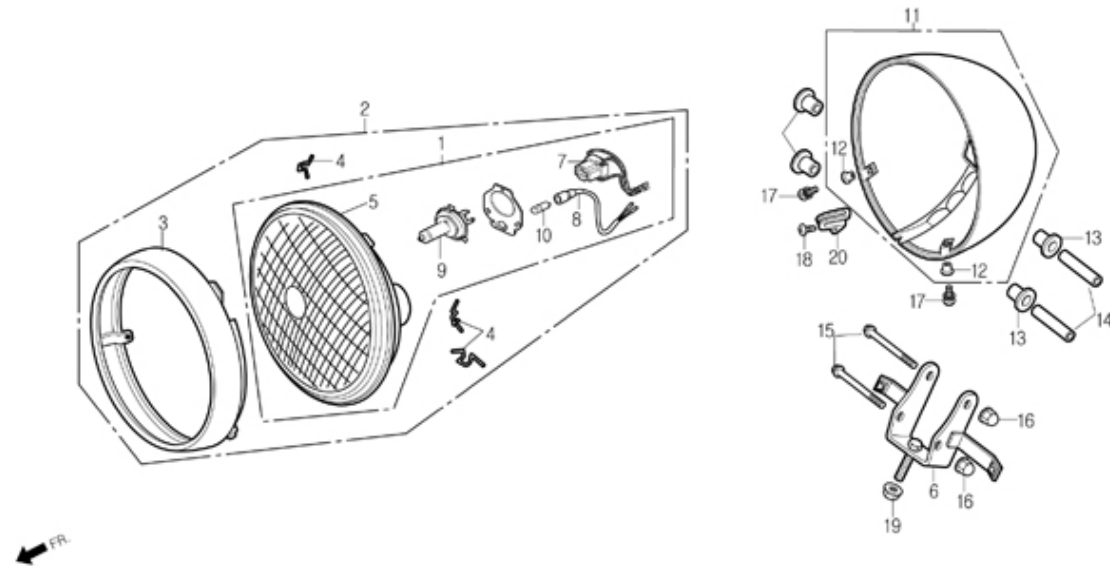
Service item	FRT	Ref. No.	Part No.	Description	QTY	A/S	Exch	Start Date	Start FRM.No	End FRM.No
		1	1620A-BA1-R300	BODY ASS'Y, THROTTLE	1	Y		20061127	KMYBA1BLS7C300261	
		2	16200-BA1-R300	BODY COMP., THROTTLE	1	N		20061127	KMYBA1BLS7C300261	
		3	16202-BA1-R300	VALVE, THROTTLE	1	N		20061127	KMYBA1BLS7C300261	
		4	16203-BA1-R300	SPRING, THROTTLE RETURN	1	N		20061127	KMYBA1BLS7C300261	
		5	16204-BA1-R300	LEVER COMP., THROTTLE	1	N		20061127	KMYBA1BLS7C300261	
		6	16205-BA1-R300	SPINDLE, THROTTLE	1	N		20061127	KMYBA1BLS7C300261	
		7	16206-BA1-R300	COLLAR, THROTTLE RETURN SPRING	1	N		20061127	KMYBA1BLS7C300261	
		8	16207-BA1-R300	SEAL, OIL	2	Y		20061127	KMYBA1BLS7C300261	
		9	16208-BA1-R300	COLLAR, SIDE	2	N		20061127	KMYBA1BLS7C300261	
		10	16220-BA1-R300-M1	ACTUATOR, IDLE SPEED	1	Y	N	20061127	KMYBA1BLS7C300261	KMYBA1BLS8C302498
			16220-BA1-R310-M1	ACTUATOR, IDLE SPEED	1	Y		20070619	KMYBA1BLS8C302499	
		11	16230-BA1-R300-M1	SENSOR, THROTTLE POSITION	1	Y		20061127	KMYBA1BLS7C300261	
		12	90206-CB2-0000	NUT, TAPPET ADJUSTING	1	N		20061127	KMYBA1BLS7C300261	
		13	91304-BA7-0030	O-RING, 33.5x3.0	1	Y		20061127	KMYBA1BLS7C300261	
		14	S3600-03005	SCREW, FLAT 3x5	2	N		20061127	KMYBA1BLS7C300261	
		15	S3893-04012-18	SCREW, WASHER 4x12	4	N		20061127	KMYBA1BLS7C300261	
		16	S4001-08000-0S	NUT, HEX 8mm	1	N		20061127	KMYBA1BLS7C300261	
		17	S4111-08800	WASHER, SPRING 8mm	1	N		20061127	KMYBA1BLS7C300261	
		18	S4540-06018	E-RING, 6mm	1	N		20061127	KMYBA1BLS7C300261	
		19	S6001-06014-00	BOLT, FLANGE SH 6x14	2	Y		20061127	KMYBA1BLS7C300261	

E-16

OIL COOLER

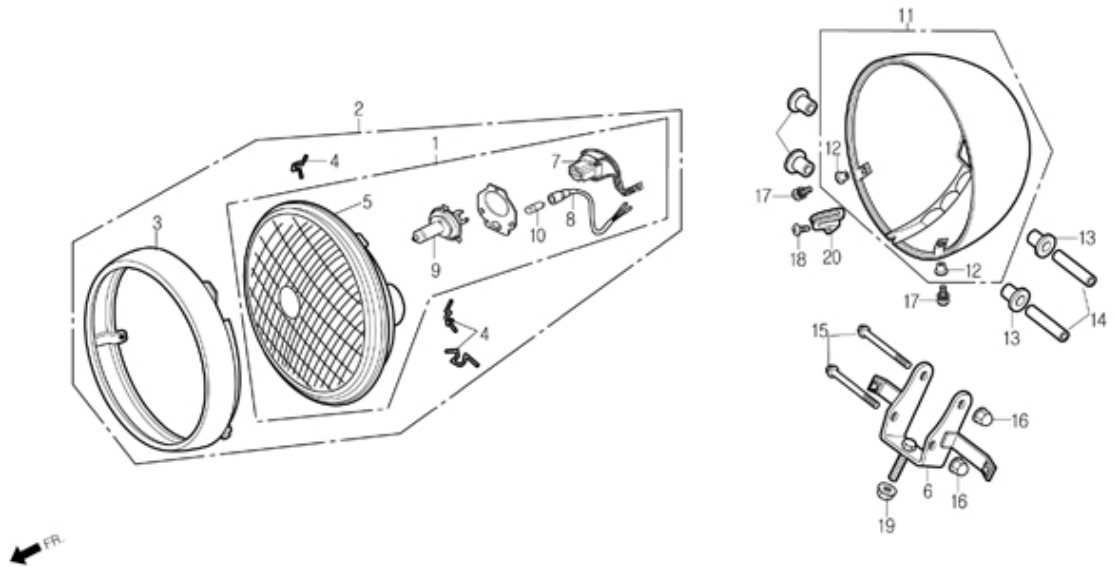


Service item	FRT	Ref. No.	Part No.	Description	QTY	A/S	Exch	Start Date	Start FRM.No	End FRM.No
RADIATOR ASS'Y, OIL	0.2	1	1901A-SA1-0000-M2	RADIATOR ASS'Y, OIL(KAC)	1	Y		20061127	KMYBA1BLS7C300261	
HOSE COMP., RADIATOR	0.1	2	19010-SA1-0000-M2	RADIATOR COMP., OIL(KAC)	1	N		20061127	KMYBA1BLS7C300261	
COVER ASS'Y, RADIATOR		3	19011-SA1-0000	COLLAR, RADIATOR	3	N		20061127	KMYBA1BLS7C300261	
GRILL, RADIATOR		4	19012-SA1-0100	RUBBER, RADIATOR	3	Y		20061127	KMYBA1BLS7C300261	
		5	19110-BA1-0000-M1	RADIATOR HOSE COMP., RH.	1	Y		20061127	KMYBA1BLS7C300261	
		6	19120-BA1-0000-M1	RADIATOR HOSE COMP., LH.	1	Y		20061127	KMYBA1BLS7C300261	
		7	1913A-BA1-0010	COVER ASS'Y, RADIATOR	1	Y		20061127	KMYBA1BLS7C300261	
		8	19131-BA1-0010	COVER COMP., RADIATOR	1	N		20061127	KMYBA1BLS7C300261	
		9	19132-BA1-0000	GRILL, RADIATOR	1	Y		20061127	KMYBA1BLS7C300261	
		10	90091-BA1-0000	BOLT, FLANGE 6x16	4	Y		20061127	KMYBA1BLS7C300261	
		11	90145-SA1-0000	BOLT, OIL THROUGH 12mm	4	Y		20061127	KMYBA1BLS7C300261	
		12	90407-BA6-0000	PACKING, DRAIN COCK 12.5x20	8	Y		20061127	KMYBA1BLS7C300261	
		13	90683-SE5-0030	CLIP, BODY COVER	2	Y		20061127	KMYBA1BLS7C300261	
		14	S5701-06018-08	BOLT, FLANGE 6x18	3	Y		20061127	KMYBA1BLS7C300261	

F-01**HEADLIGHT**

Service item	FRT	Ref. No.	Part No.	Description	QTY	A/S	Exch	Start Date	Start FRM.No	End FRM.No
HEADLIGHT ASS'Y	0.1	1	3310A-BA7-RB10-M1	UNIT ASS'Y, HEADLIGHT	1	Y		20061127	KMYBA1BLS7C300261	
.BULB, HEADLIGHT	0.2	2	33100-BA5-RB10-M1	HEADLIGHT ASS'Y	1	Y		20061127	KMYBA1BLS7C300261	
.BULB, MARKER LIGHT			33100-BA1-RA00-M1	HEADLIGHT ASS'Y(English only)	1	Y		20061127	KMYBA1BLS7C300261	
UNIT, HEADLIGHT		3	33101-BA5-9000	RIM HEADLIGHT	1	Y		20061127	KMYBA1BLS7C300261	
.CASE, HEADLIGHT		4	33108-BA7-0030	SPRING, UNIT HOLDER	3	N		20061127	KMYBA1BLS7C300261	
CASE, HEADLIGHT		5	33120-BA7-RB00-M1	UNIT, HEADLIGHT	1	N		20061127	KMYBA1BLS7C300261	
.BRACKET, HEADLIGHT CASE		6	33124-BA1-0000	BRACKET, HEADLIGHT CASE	1	Y		20061127	KMYBA1BLS7C300261	
		7	33130-BA7-RB10-M1	SOCKET ASS'Y, HEADLIGHT	1	N		20061127	KMYBA1BLS7C300261	
		8	33150-BA7-RB00-M1	SOCKET ASS'Y, POSITION LIGHT	1	N		20061127	KMYBA1BLS7C300261	
		9	34901-BA7-RB00	BULB, HEADLIGHT(12V 60W/55W)	1	Y		20061127	KMYBA1BLS7C300261	
			34901-BA4-0000	BULB, HEADLIGHT(12V 35W/35W: English)	1	Y		20061127	KMYBA1BLS7C300261	
		10	34902-SA1-RB00	BULB, WEDGE BASE(12V 5W)	1	Y		20061127	KMYBA1BLS7C300261	
		11	61301-BA5-9000	CASE, HEADLIGHT	1	Y		20061127	KMYBA1BLS7C300261	
		12	61304-BA7-0000	COLLAR, HEADLIGHT SETTING	2	N		20061127	KMYBA1BLS7C300261	
		13	61315-BA5-0000	RUBBER, HEADLIGHT MOUNTING	4	Y		20061127	KMYBA1BLS7C300261	
		14	61316-BA5-0000	COLLAR, HEADLIGHT STAY	2	Y		20061127	KMYBA1BLS7C300261	
		15	90132-BA5-0000	BOLT, CAP 6mm	2	Y		20061127	KMYBA1BLS7C300261	
		16	90301-SB1-0000	NUT, 6mm OPEN STAY	2	Y		20061127	KMYBA1BLS7C300261	
		17	S3892-05016-08	SCREW, WASHER 5x16	2	Y		20061127	KMYBA1BLS7C300261	
		18	S3901-34210	SCREW, TAPPING 4x10	1	Y		20061127	KMYBA1BLS7C300261	
		19	S4050-10080	NUT FLANGE 10mm	1	Y		20061127	KMYBA1BLS7C300261	

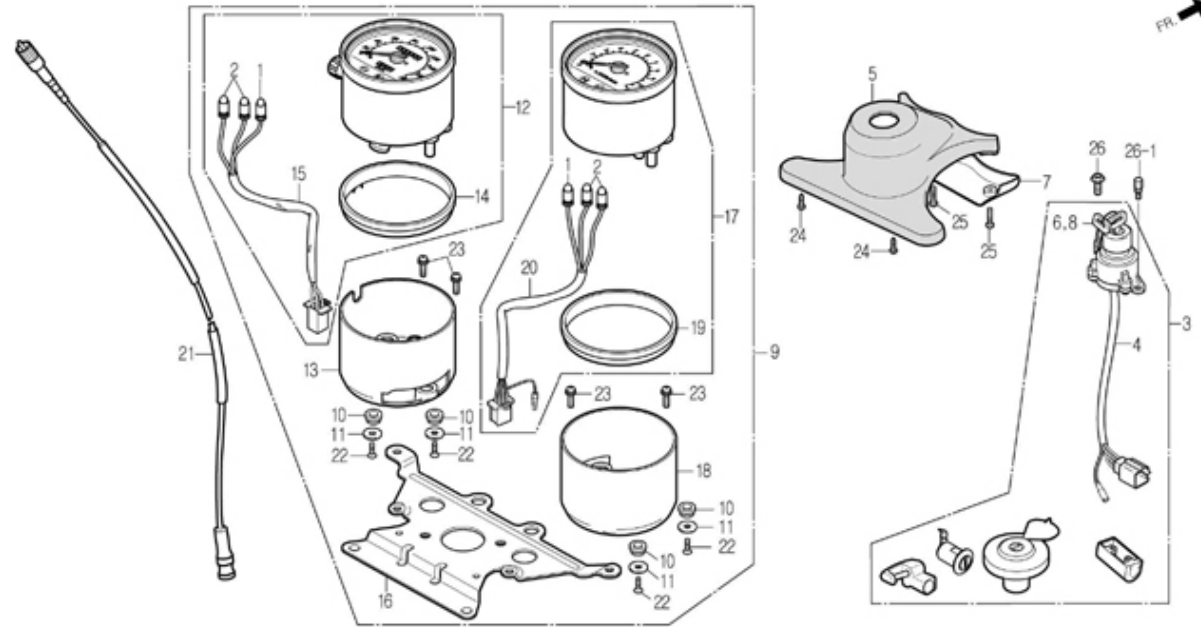
F-01
HEADLIGHT



Service item	FRT	Ref. No.	Part No.	Description	QTY	A/S	Exch	Start Date	Start FRM.No	End FRM.No
		20	S4591-49000	CLIP 4x90	1	Y		20061127	KMYBA1BLS7C300261	

F-02

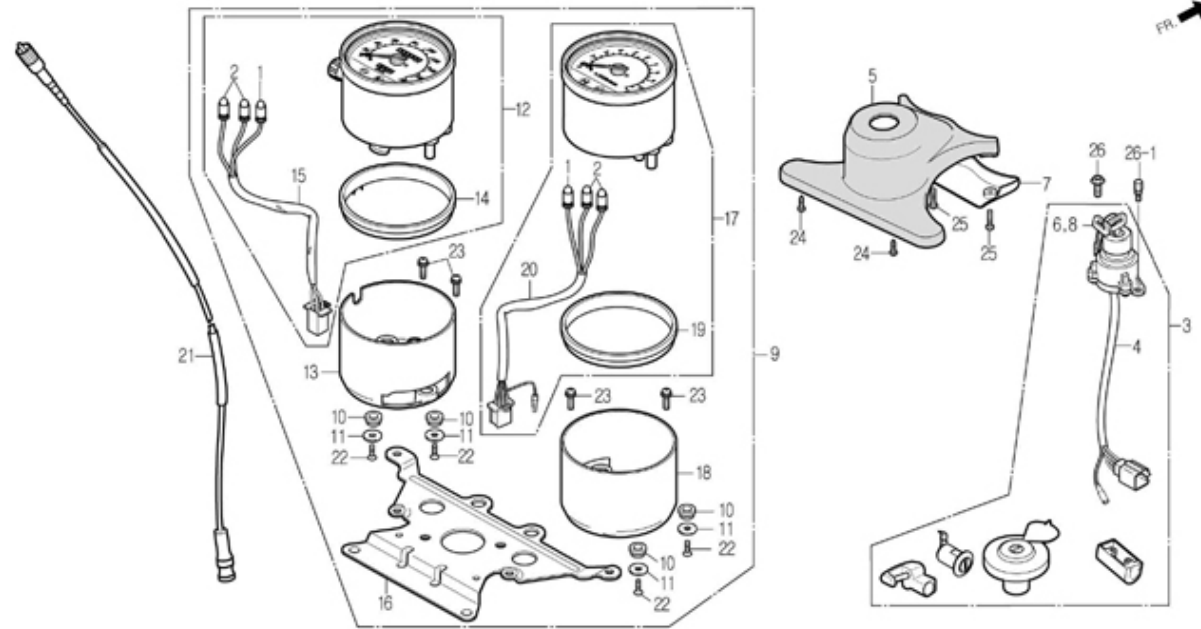
COMBINATION METER



Service item	FRT	Ref. No.	Part No.	Description	QTY	A/S	Exch	Start Date	Start FRM.No	End FRM.No
METER ASS'Y, COMBINATION	0.3	1	34908-SE5-7010-M1	BULB, WEDGE BASE (12V 3.4W)	2	Y		20061127	KMYBA1BLS7C300261	
.KEY SET		2	34908-BA6-9510-M1	BULB, WEDGE BASE T6.5	4	Y		20061127	KMYBA1BLS7C300261	
.SPRRDOMETER ASS'Y		3	35010-BA1-0020	KEY SET	1	Y		20061127	KMYBA1BLS7C300261	
.CASE, SPEEDOMETER		4	35100-BA1-0010	SWITCH ASS'Y, COMBINATION	1	N		20061127	KMYBA1BLS7C300261	
.TACHOMETER ASS'Y		5	35110-BA1-0000	UPPER COVER, COMBINATION SWITCH	1	Y		20061127	KMYBA1BLS7C300261	
.CASE, TACHOMETER		6	35111-BA1-0030-M1	KEY COMP.	2	N		20061127	KMYBA1BLS7C300261	
.STAY COMP., METER		7	35120-BA1-0000	UNDER COVER, COMBINATION SWITCH	1	Y		20061127	KMYBA1BLS7C300261	
CABLE COMP., SPEEDOMETER	0.2	8	35121-BA1-RB00	KEY, BLANK NO.1	1	Y		20061127	KMYBA1BLS7C300261	
		9	37100-BA1-R300	METER ASS'Y, COMBINATION	1	Y		20061127	KMYBA1BLS7C300261	
		10	37101-BA7-9000	RUBBER, METER SETTING	4	N		20061127	KMYBA1BLS7C300261	
		11	37102-BA7-9000	WASHER	4	N		20061127	KMYBA1BLS7C300261	
		12	37200-BA1-RB10-M1	SPEED METER ASS'Y(PS)	1	Y		20061127	KMYBA1BLS7C300261	
		13	37203-BA1-0030-M1	CASE, SPEEDOMETER	1	N		20061127	KMYBA1BLS7C300261	
		14	37208-BA7-9000	CUSHION, SPEDOMETER	1	N		20061127	KMYBA1BLS7C300261	
		15	37209-BA1-0000	SOCKET COMP., SPEEDOMETER	1	N		20061127	KMYBA1BLS7C300261	
		16	37211-BA1-0000	STAY COMP., METER	1	N		20061127	KMYBA1BLS7C300261	
		17	37250-BA1-R300	METER ASS'Y, TACHOMETER	1	Y		20061127	KMYBA1BLS7C300261	
		18	37253-BA1-0030-M1	CASE, TACHOMETER	1	N		20061127	KMYBA1BLS7C300261	
		19	37258-BA7-9000	CUSHION, TACHOMETER	1	N		20061127	KMYBA1BLS7C300261	
		20	37259-BA1-R300	SOCKET COMP, TACHOMETER	1	N		20061127	KMYBA1BLS7C300261	
		21	44830-BA1-0000-M3	CABLE ASS'Y, SPEEDOMETER	1	Y		20061127	KMYBA1BLS7C300261	

F-02

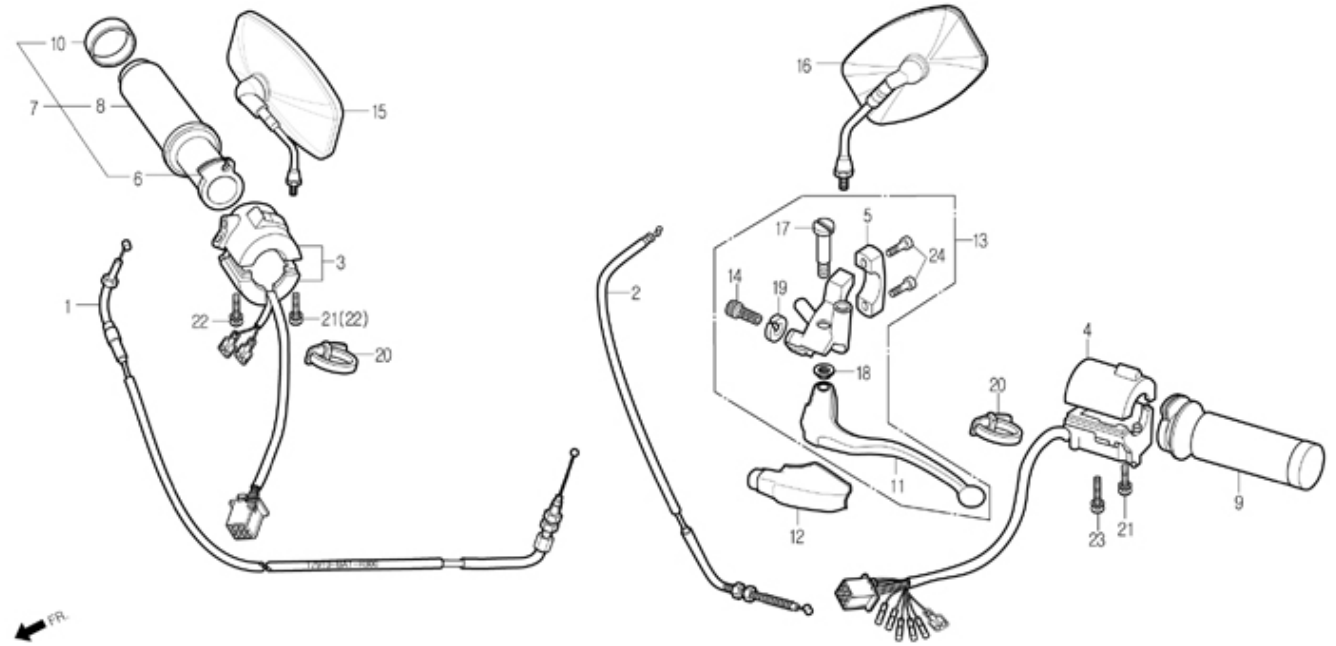
COMBINATION METER



Service item	FRT	Ref. No.	Part No.	Description	QTY	A/S	Exch	Start Date	Start FRM.No	End FRM.No
		22	S3700-04008-0B	SCREW, OVAL 4x8	4	N		20061127	KMYBA1BLS7C300261	
		23	S3891-05010-00	SCREW, WASH 5x10	4	N		20061127	KMYBA1BLS7C300261	
		24	S3903-44220	SCREW, TAPPING 4x10	2	Y		20061127	KMYBA1BLS7C300261	
		25	S3903-34420	SCREW, TAPPING 4x16	2	Y		20061127	KMYBA1BLS7C300261	
		26	S6001-06012-08	BOLT, FLANGE SH 6x12	1	Y		20061127	KMYBA1BLS7C300261	
		26-1	90107-BA5-RB00	SPECIAL BOLT, COMBI.KEY	1	Y		20061127	KMYBA1BLS7C300261	

F-03

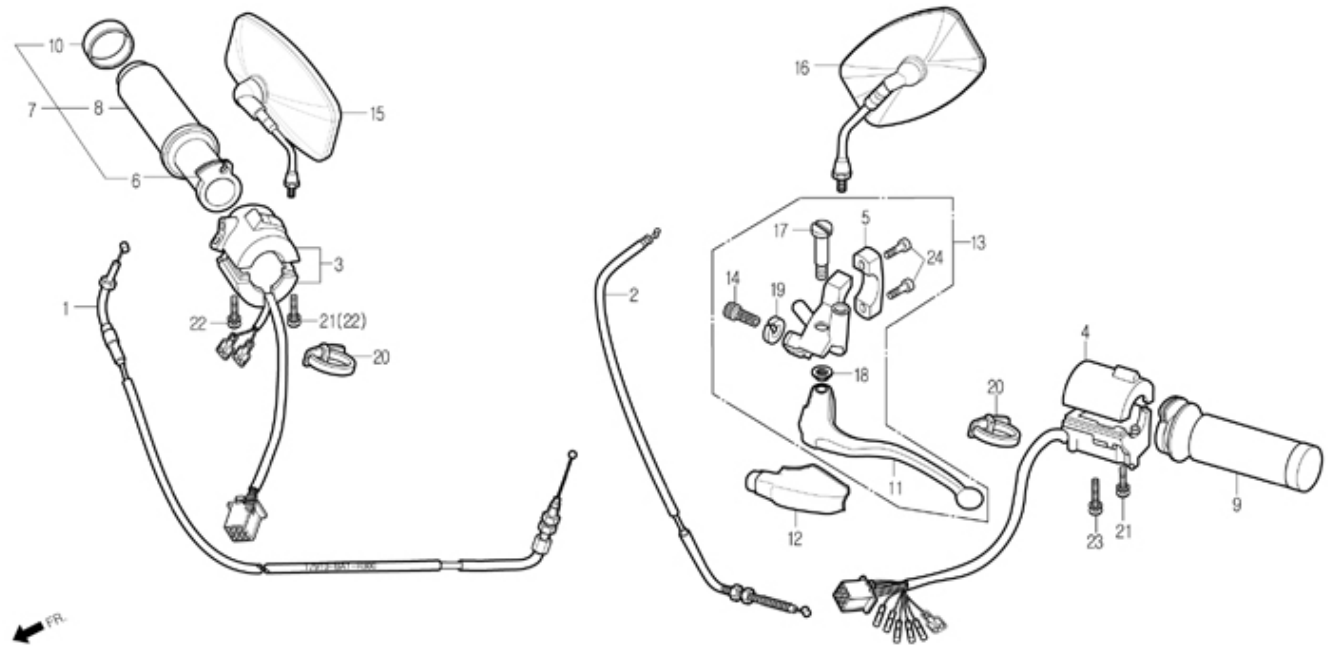
HANDLE LEVER / SWITCH / CABLE



Service item	FRT	Ref. No.	Part No.	Description	QTY	A/S	Exch	Start Date	Start FRM.No	End FRM.No
CABLE COMP, THROTTLE	0.4	1	17910-BA1-R300	CABLE COMP., THROTTLE	1	Y		20061127	KMYBA1BLS7C300261	
CABLE COMP., CHOKE	0.2	2	22870-BA1-0000-M3	CABLE COMP., CLUTCH	1	Y		20061127	KMYBA1BLS7C300261	
CABLE COMP., CLUTCH	0.2	3	35150-BA5-9010	SWITCH ASS'Y, LIGHTING START KILL	1	Y		20061127	KMYBA1BLS7C300261	
SWITCH ASS'Y,LIGHT STARTER KILL	0.5	4	35200-BA1-R300	SWITCH ASS'Y, WINKER	1	Y		20061127	KMYBA1BLS7C300261	
SWITCHASS'Y, WINKER	0.5	5	45517-BA5-9000	HOLDER, CLUTCH LEVER BRACKET	1	N		20061127	KMYBA1BLS7C300261	
GRIP COMP., RH.	0.1	6	53141-BA5-9000-H1	PIPE, THROTTLE GRIP	1	N		20061127	KMYBA1BLS7C300261	
GRIP COMP., LH.	0.1	7	53145-BA5-9000	GRIP COMP., RH.	1	Y		20061127	KMYBA1BLS7C300261	
LEVER COMP., LH.HANDLE	0.1	8	53165-BA5-9000	GRIP, RH.HANDLE	1	N		20061127	KMYBA1BLS7C300261	
	0.1	9	53166-BA5-9000	GRIP COMP., LH.	1	Y		20061127	KMYBA1BLS7C300261	
	0.1	10	53169-BA5-9000	CAP, LH.GRIP END	1	N		20061127	KMYBA1BLS7C300261	
		11	53178-BA5-9000	LEVER COMP., LH.HANDLE	1	Y		20061127	KMYBA1BLS7C300261	
		12	53180-BA6-0100	BOOT, HANDLE LEVER	1	Y		20061127	KMYBA1BLS7C300261	
		13	53190-BA5-9000	LEVER ASS'Y, LH.HANDLE	1	Y		20061127	KMYBA1BLS7C300261	
		14	53192-BA6-0000	BOLT, WIRE ADJUSTING	1	Y		20061127	KMYBA1BLS7C300261	
		15	88110-BA1-0010	MIRROR ASS'Y, RH BACK	1	Y		20061127	KMYBA1BLS7C300261	
		16	88120-BA1-0010	MIRROR ASS'Y, LH.BACK	1	Y		20061127	KMYBA1BLS7C300261	
		17	90113-BA7-0000	BOLT, LH.HANDLE LEVER PIVOT	1	Y		20061127	KMYBA1BLS7C300261	
		18	90201-BA6-1000	NUT, CAP 6mm	1	Y		20061127	KMYBA1BLS7C300261	
		19	90321-BA6-7500	NUT, FIXING	1	Y		20061127	KMYBA1BLS7C300261	
		20	90652-BA7-7720-M2	BAND, WIRE	2	Y		20061127	KMYBA1BLS7C300261	
		21	S3892-05025-08	SCREW, WASH 5x25	1	N	Y	20061127	KMYBA1BLS7C300261	KMYBA1BLS8C302636

F-03

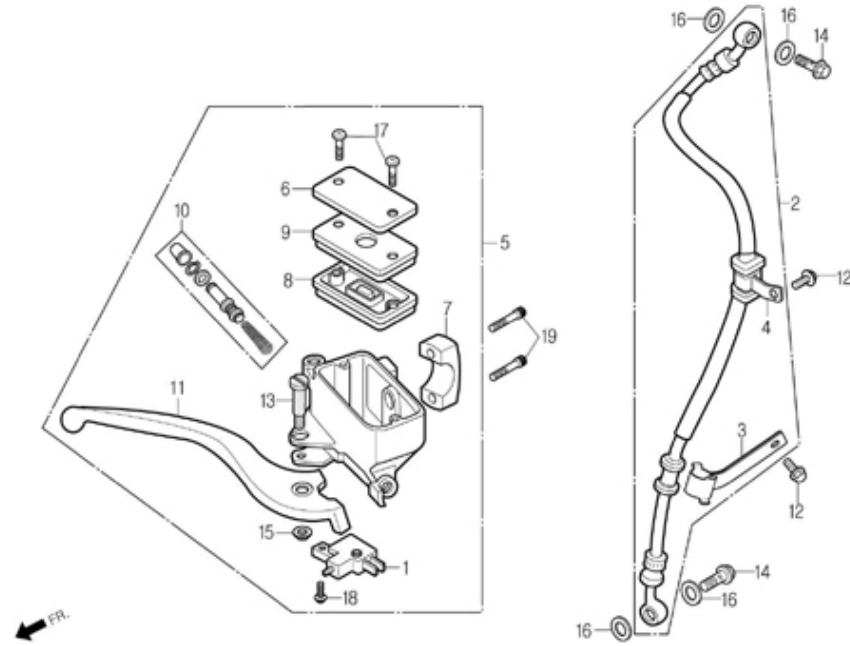
HANDLE LEVER / SWITCH / CABLE



Service item	FRT	Ref. No.	Part No.	Description	QTY	A/S	Exch	Start Date	Start FRM.No	End FRM.No
			S3892-05025-08	SCREW, WASH 5x25	2	Y		20071101	KMYBA1BLS8C302637	
		22	S3892-05028-08	SCREW, WASHER 5x28	2	N	N	20061127	KMYBA1BLS7C300261	KMYBA1BLS8C302636
			S3892-05028-08	SCREW, WASHER 5x28	1	Y		20071101	KMYBA1BLS8C302637	
		23	S3892-05035-08	SCREW, WASHER 5x35	1	Y		20061127	KMYBA1BLS7C300261	
		24	S6700-06022-10	BOLT, SOCKET 6x22	2	Y		20061127	KMYBA1BLS7C300261	

F-04

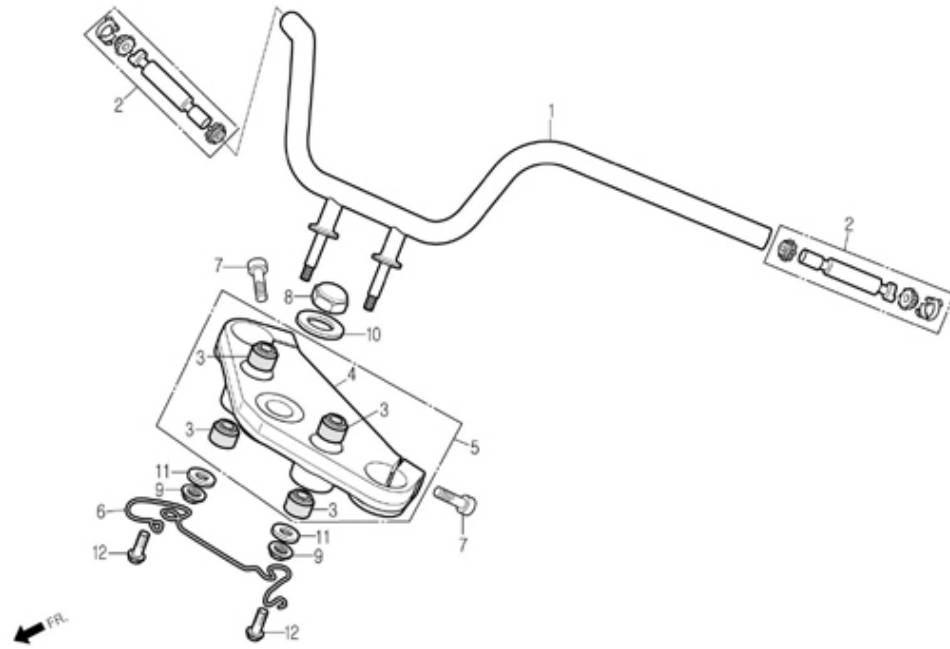
FRONT BRAKE MASTER CYLINDER



Service item	FRT	Ref. No.	Part No.	Description	QTY	A/S	Exch	Start Date	Start FRM.No	End FRM.No
SWITCH ASS'Y, FR.STOP	0.1	1	35340-BA7-9000	SWITCH ASS'Y, FR.STOP	1	Y		20061127	KMYBA1BLS7C300261	
LEVER COMP., RH.HANDLE	0.4	2	45126-BA1-0000	HOSE COMP., FR.BRAKE	1	Y		20061127	KMYBA1BLS7C300261	
DIAPHRAGM		3	45156-BA1-0000	CLAMPER, BRAKE HOSE	1	Y		20061127	KMYBA1BLS7C300261	
HOSE COMP., FR.BRAKE		4	45157-BA5-8500	CLAMPER B, BRAKE HOSE	1	Y		20061127	KMYBA1BLS7C300261	
CYLINDER ASS'Y, FR.MASTER		5	45500-BA5-9000	CYLINDER ASS'Y, FR.MASTER	1	Y		20061127	KMYBA1BLS7C300261	
PISTON SET, MASTER CYLINDER		6	45513-BA5-9000-M1	CAP, MASTER CYLINDER(DC)	1	N		20061127	KMYBA1BLS7C300261	
		7	45517-BA5-9000	HOLDER, CLUTCH LEVER BRACKET	1	N		20061127	KMYBA1BLS7C300261	
		8	45520-BA5-9000-M1	DIAPHRAGM(DC)	1	N		20061127	KMYBA1BLS7C300261	
		9	45521-BA5-9000-M1	PLATE, DIAPHRAGM(DC)	1	N		20061127	KMYBA1BLS7C300261	
		10	45530-BA5-9000-M1	PISTON SET, MASTER CYLINDER(DC)	1	N		20061127	KMYBA1BLS7C300261	
		11	53175-BA5-9000-M1	LEVER COMP., RH.HANDLE(DC)	1	Y		20061127	KMYBA1BLS7C300261	
		12	S5701-06012-07	BOLT, FLANGE 6X12	2	Y		20061127	KMYBA1BLS7C300261	
		13	90114-BA5-9000-M1	BOLT, HANDLE LEVER(DC)	1	N		20061127	KMYBA1BLS7C300261	
		14	90145-BA7-9000	BOLT, OIL 10x22	2	Y		20061127	KMYBA1BLS7C300261	
		15	90201-BA6-1000	NUT, CAP 6mm	1	Y		20061127	KMYBA1BLS7C300261	
		16	90545-BA6-0000	WASHER, OIL BOLT	4	Y		20061127	KMYBA1BLS7C300261	
		17	S3600-04012-1A	SCREW, FLATE 4x12	2	N		20061127	KMYBA1BLS7C300261	
		18	S3893-04012-17	SCREW, WASHER 4x12	1	N		20061127	KMYBA1BLS7C300261	
		19	S6700-06022-10	BOLT, SOCKET 6x22	2	Y		20061127	KMYBA1BLS7C300261	

F-05

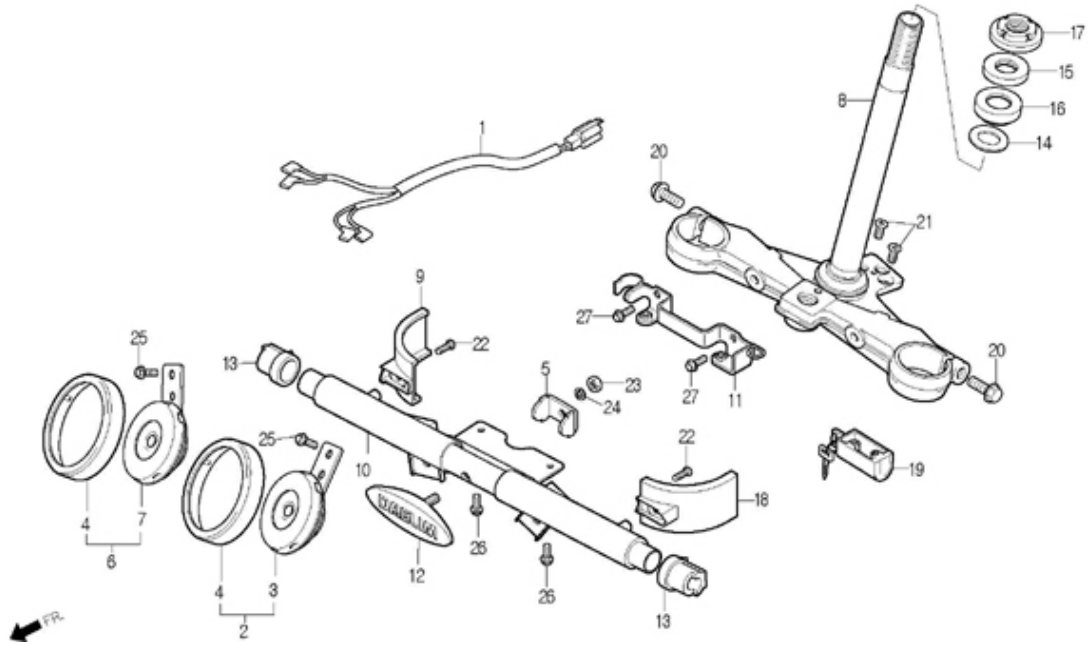
HANDLE PIPE / TOP BRIDGE



Service item	FRT	Ref. No.	Part No.	Description	QTY	A/S	Exch	Start Date	Start FRM.No	End FRM.No
PIPE COMP., STEERING HANDLE	0.5	1	53100-BA1-0000	PIPE COMP., STEERING HANDLE	1	Y		20061127	KMYBA1BLS7C300261	
BRIDGE, FORK TOP	0.6	2	53110-BA5-9000	WEIGHT ASS'Y, HANDLE	2	Y		20061127	KMYBA1BLS7C300261	
		3	53133-BA5-0000	RUBBER, HANDLE CUSHION	4	Y		20061127	KMYBA1BLS7C300261	
		4	53230-BA1-0000	BRIDGE, FORK TOP	1	N		20061127	KMYBA1BLS7C300261	
		5	53300-BA1-0000	BRIDGE COMP., FORK TOP	1	Y		20061127	KMYBA1BLS7C300261	
		6	61315-BA1-0000	GUIDE, CABLE	1	Y		20061127	KMYBA1BLS7C300261	
		7	90112-BA5-0000	BOLT, SOCKET 8x30	2	Y		20061127	KMYBA1BLS7C300261	
		8	90304-HD2-0000	NUT, STEERING STEM	1	Y		20061127	KMYBA1BLS7C300261	
		9	90304-SE6-0000	NUT, U 10mm	2	Y		20061127	KMYBA1BLS7C300261	
		10	90503-BA4-0000	WASHER, STEERING STEM NUT	1	Y		20061127	KMYBA1BLS7C300261	
		11	90535-BA5-0000	WASHER, HANDLE UNDER HOLDER	2	Y		20061127	KMYBA1BLS7C300261	
		12	S5701-06016-08	BOLT, FLANGE 6x16	2	Y		20061127	KMYBA1BLS7C300261	

F-06

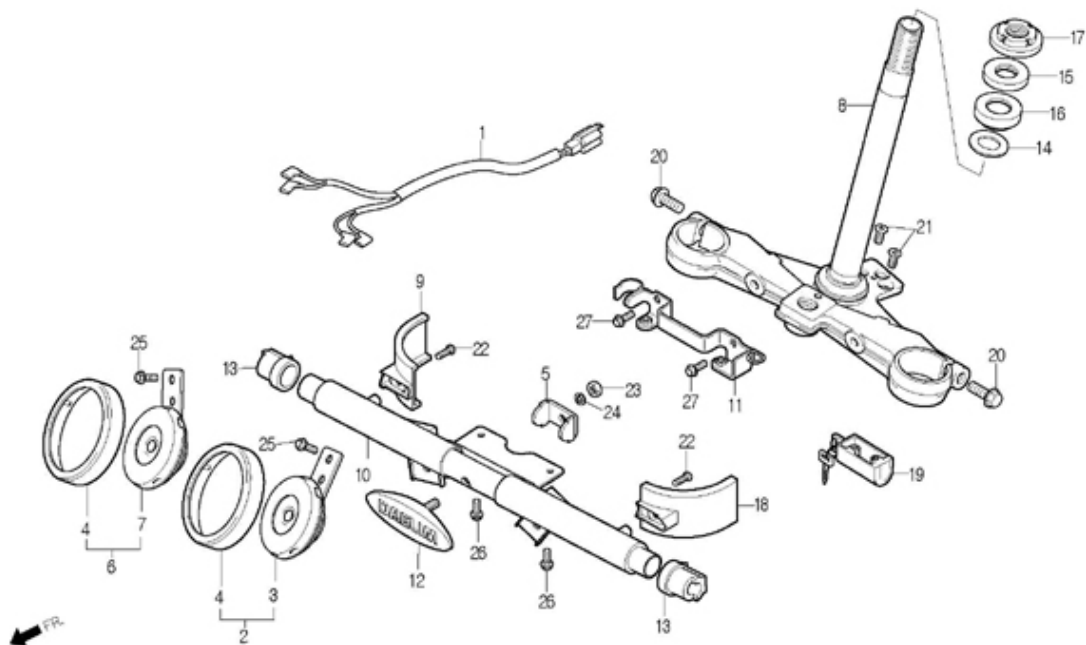
STEERING STEM / HORN



Service item	FRT	Ref. No.	Part No.	Description	QTY	A/S	Exch	Start Date	Start FRM.No	End FRM.No
HARNASS, HORN SUB	0.2	1	32102-BA1-0000	SUB HARNASS, HORN	1	Y		20061127	KMYBA1BLS7C300261	
.STAY COMP., HORN		2	3811A-BA1-0000	HORN ASS'Y, HIGH	1	Y		20061127	KMYBA1BLS7C300261	
HORN ASS'Y		3	38110-BA1-0000	HORN COMP., HIGH	1	N		20061127	KMYBA1BLS7C300261	
RACE, STEERING BALL	0.1	4	38111-BA1-0000	RING, HORN	2	Y		20061127	KMYBA1BLS7C300261	
.RACE, STEERING BOTTOM CONE		5	38116-BA1-RB00	STAY, EMBLEM STOPPER	1	Y		20061127	KMYBA1BLS7C300261	
STEM COMP., STEERING	0.9	6	3812A-BA1-0000	HORN ASS'Y, LOW	1	Y		20061127	KMYBA1BLS7C300261	
RACE, STEERING TOP CONE		7	38120-BA1-0000	HORN COMP., LOW	1	N		20061127	KMYBA1BLS7C300261	
.THREAD COMP.,STEERING HEAD TOP	1.2	8	53200-BA1-0000-M1	STEM COMP., STEERING(SANYE)	1	N	Y	20061127	KMYBA1BLS7C300261	KMYBA1BLS9C304603
			53200-BA1-0010-M1	STEM COMP., STEERING(SANYE)	1	Y		20081101	KMYBA1BLS9C304604	
	0.5	9	53205-BA1-0010	COVER, BOTTOM BRIDGE RH.	1	Y		20061127	KMYBA1BLS7C300261	
		10	53206-BA1-RB00	STAY, FR.EMBLEM	1	Y		20061127	KMYBA1BLS7C300261	
		11	53206-BA5-9000	STAY, BOTTOM BRIDGE COVER	1	Y		20061127	KMYBA1BLS7C300261	
		12	53207-BA1-0000	EMBLEM COMP., FR.	1	Y		20061127	KMYBA1BLS7C300261	
		13	53208-BA1-RB00	RUBBER, EMBLEM STAY	2	Y		20061127	KMYBA1BLS7C300261	
		14	53215-CB2-0000	WASHER, STEERING HEAD DUST-SEAL	1	Y		20061127	KMYBA1BLS7C300261	
		15	53216-BA5-RB10-M1	BEARING, STEERING UPPER	1	Y		20061127	KMYBA1BLS7C300261	
		16	53217-BA5-RB10-M1	BEARING, STEERING UNDER	1	Y		20061127	KMYBA1BLS7C300261	
		17	53220-BA6-0000	THREAD COMP., STEERING HEAD TOP	1	Y		20061127	KMYBA1BLS7C300261	
		18	53255-BA1-0010	COVER, BOTTOM BRIDGE LH.	1	Y		20061127	KMYBA1BLS7C300261	
		19	53600-BE0-0000	LOCK, STEERING HANDLE	1	Y		20061127	KMYBA1BLS7C300261	
		20	90103-BA6-0000	BOLT, SPECIAL FLANGE 8x28	2	N	Y	20061127	KMYBA1BLS7C300261	KMYBA1BLS8C302498

F-06

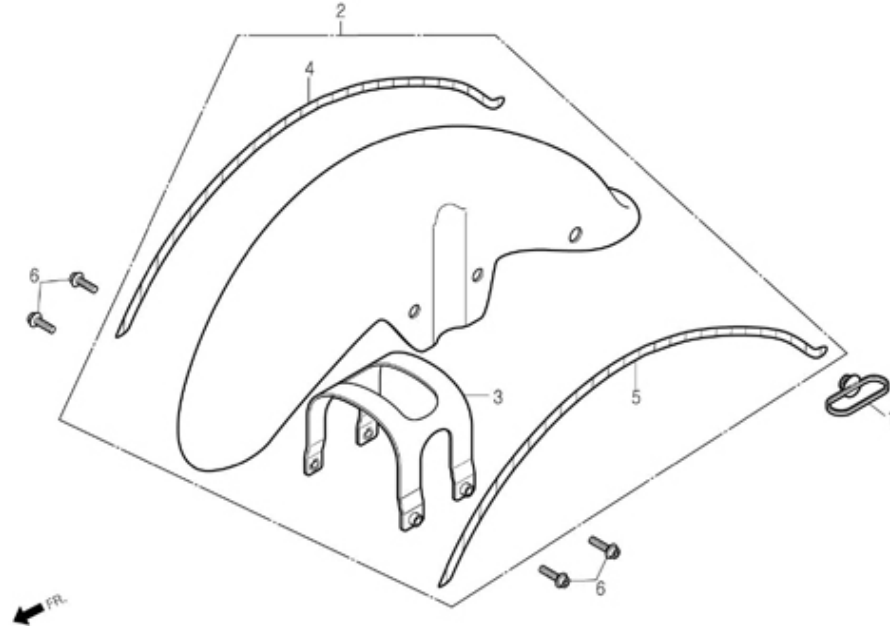
STEERING STEM / HORN



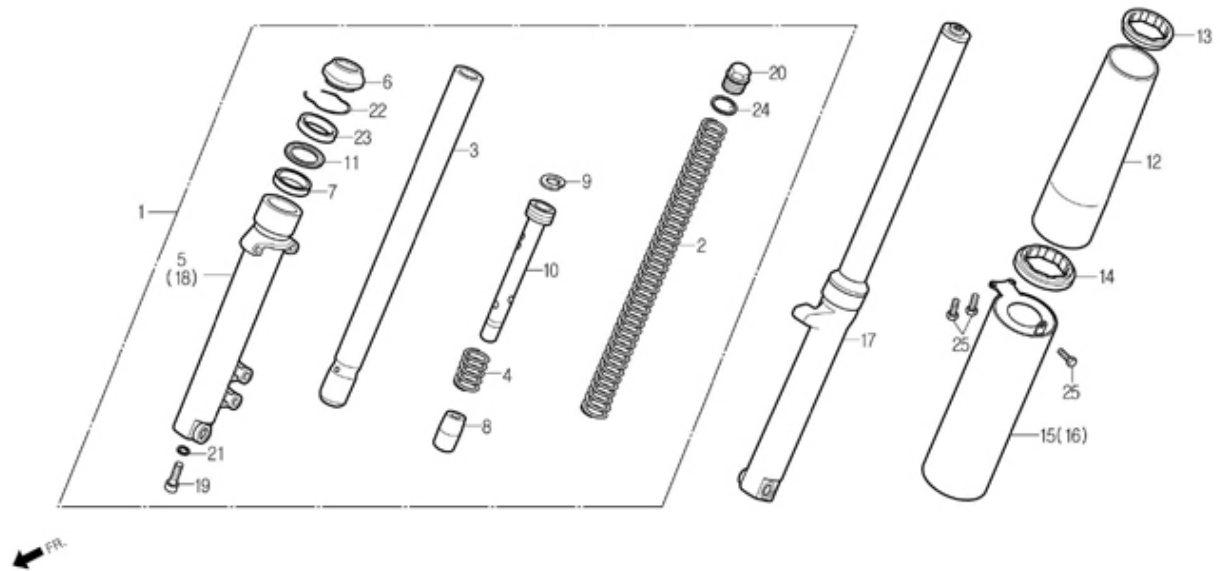
Service item	FRT	Ref. No.	Part No.	Description	QTY	A/S	Exch	Start Date	Start FRM.No	End FRM.No
			90103-BA7-0000	BOLT, SPECIAL FLANGE 8x28	2	Y		20070701	KMYBA1BLS8C302499	
		21	90164-CB2-0000-M1	SCREW, LOCK 6x12	2	Y		20061127	KMYBA1BLS7C300261	
		22	90191-SB1-0000	SCREW, SPECIAL 6x10	2	Y		20061127	KMYBA1BLS7C300261	
		23	S4001-06000-0S	NUT, HEX 6mm	1	Y		20061127	KMYBA1BLS7C300261	
		24	S4111-06800	WASHER, SPRING 6mm	1	N		20061127	KMYBA1BLS7C300261	
		25	S5701-06010-07	BOLT, FLANGE 6x10	2	Y		20061127	KMYBA1BLS7C300261	
		26	S5701-06012-08	BOLT, FLANGE 6x12	2	Y		20061127	KMYBA1BLS7C300261	
		27	S5701-06012-07	BOLT, FLANGE 6x12	2	Y		20061127	KMYBA1BLS7C300261	

F-07

FRONT FENDER



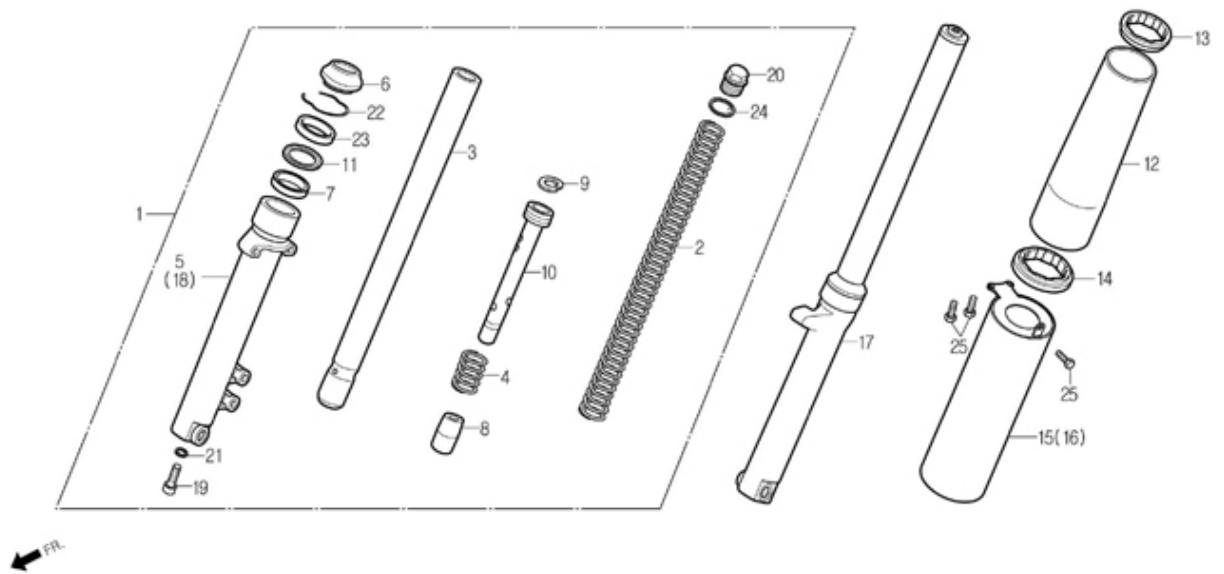
Service item	FRT	Ref. No.	Part No.	Description	QTY	A/S	Exch	Start Date	Start FRM.No	End FRM.No	
FRNDER COMP., FR.	0.2	1	45451-BA5-0000	GROMMET, WIRE	1	Y		20061127	KMYBA1BLS7C300261		
		2	6110A-BA1-RB10-2O	FENDER SET, FR.(R+SILVER)	1	Y		20061127	KMYBA1BLS7C300261		
			6110A-BA1-R300-PB	FENDER SET, FR.(P+BLACK)	1	Y		20061127	KMYBA1BLS7C300261		
			6110A-BA1-R300-2G	FENDER SET, FR.(G+BLACK)	1	Y		20061127	KMYBA1BLS7C300261		
			6110A-BA1-R300-2N	FENDER SET, FR.(O+BEIGE)	1	Y		20061127	KMYBA1BLS7C300261		
		3	61102-BA1-0000	BRACKET COMP., FR.FENDER	1	Y		20061127	KMYBA1BLS7C300261		
		4	61103-BA1-RB10-2O	STRIPE, RH.FR.FENDER(R+SILVER)	1	Y		20061127	KMYBA1BLS7C300261		
			61103-BA1-R300-PB	STRIPE, RH.FR.FENDER(P+BLACK)	1	Y		20061127	KMYBA1BLS7C300261		
			61103-BA1-R300-2G	STRIPE, RH.FR.FENDER(G+BLACK)	1	Y		20061127	KMYBA1BLS7C300261		
			61103-BA1-R300-2N	STRIPE, RH.FR.FENDER(O+BEIGE)	1	Y		20061127	KMYBA1BLS7C300261		
		5	61104-BA1-RB10-2O	STRIPE, LH.FR.FENDER(R+SILVER)	1	Y		20061127	KMYBA1BLS7C300261		
			61104-BA1-R300-PB	STRIPE, LH.FR.FENDER(P+BLACK)	1	Y		20061127	KMYBA1BLS7C300261		
			61104-BA1-R300-2G	STRIPE, LH.FR.FENDER(G+BLACK)	1	Y		20061127	KMYBA1BLS7C300261		
			61104-BA1-R300-2N	STRIPE, LH.FR.FENDER(O+BEIGE)	1	Y		20061127	KMYBA1BLS7C300261		
			6	90071-BA5-0000	BOLT, FLANGE SOCKET 6x16	4	Y		20061127	KMYBA1BLS7C300261	

F-08**FRONT FORK**

Service item	FRT	Ref. No.	Part No.	Description	QTY	A/S	Exch	Start Date	Start FRM.No	End FRM.No
FORK ASS'Y, FR. (ADD 0.1 FOR EACH)	0.4 0.2	1	51400-BA1-0000	FROK ASS'Y, RH.FR.	1	Y		20061127	KMYBA1BLS7C300261	
SPRING, FR.FORK	0.7	2	51401-BA1-0000	SPRING, FR.FORK	2	N		20061127	KMYBA1BLS7C300261	
PIPE COMP., FR.FORK	0.8	3	51410-BA1-0000	PIPE COMP., FR.FORK	2	N		20061127	KMYBA1BLS7C300261	
SPRING, REBOUND (ADD 0.4 FOR EACH)		4	51412-BA5-9000	SPRING, REBOUND	2	N		20061127	KMYBA1BLS7C300261	
CASE, BOTTOM (ADD 0.5 FOR EACH)		5	51420-BA1-0000	CASE, RH.BOTTOM	1	N		20061127	KMYBA1BLS7C300261	
		6	51425-BA5-9000	SEAL, DUST	2	N		20061127	KMYBA1BLS7C300261	
		7	51427-BA5-9000	BUSH, GUIDE	2	N		20061127	KMYBA1BLS7C300261	
		8	51432-BA5-9000	PIECE, OIL LOCK	2	N		20061127	KMYBA1BLS7C300261	
		9	51437-BA5-9000	RING, PISTON	2	N		20061127	KMYBA1BLS7C300261	
		10	51440-BA1-0000	PIPE, SEAT	2	N		20061127	KMYBA1BLS7C300261	
		11	51441-BA5-9000	RING, BACK UP	2	N		20061127	KMYBA1BLS7C300261	
		12	51450-BA1-0000	COVER, FR.FORK UPPER	2	Y		20061127	KMYBA1BLS7C300261	
		13	51451-BA1-0000	MOUNT, FR.FORK UPPER	2	Y		20061127	KMYBA1BLS7C300261	
		14	51452-BA1-0000	MOUNT, FR.FORK LOWER	2	Y		20061127	KMYBA1BLS7C300261	
		15	51470-BA1-0010	COVER, RH.FR.FORK LOWER	1	Y		20061127	KMYBA1BLS7C300261	
		16	51480-BA1-0010	COVER, LH.FR.FORK LOWER	1	Y		20061127	KMYBA1BLS7C300261	
		17	51500-BA1-0000	FROK ASS'Y, LH.FR.	1	Y		20061127	KMYBA1BLS7C300261	
		18	51520-BA1-0000	CASE, LH.BOTTOM	1	N		20061127	KMYBA1BLS7C300261	
		19	90116-BA6-7210-M1	BOLT, SOCKET 8mm	2	N		20061127	KMYBA1BLS7C300261	
		20	90123-BA5-9000	BOLT, FR.FORK	2	N		20061127	KMYBA1BLS7C300261	
		21	90544-HD2-0000	WASHER, SPECIAL 8mm	2	Y		20061127	KMYBA1BLS7C300261	

F-08

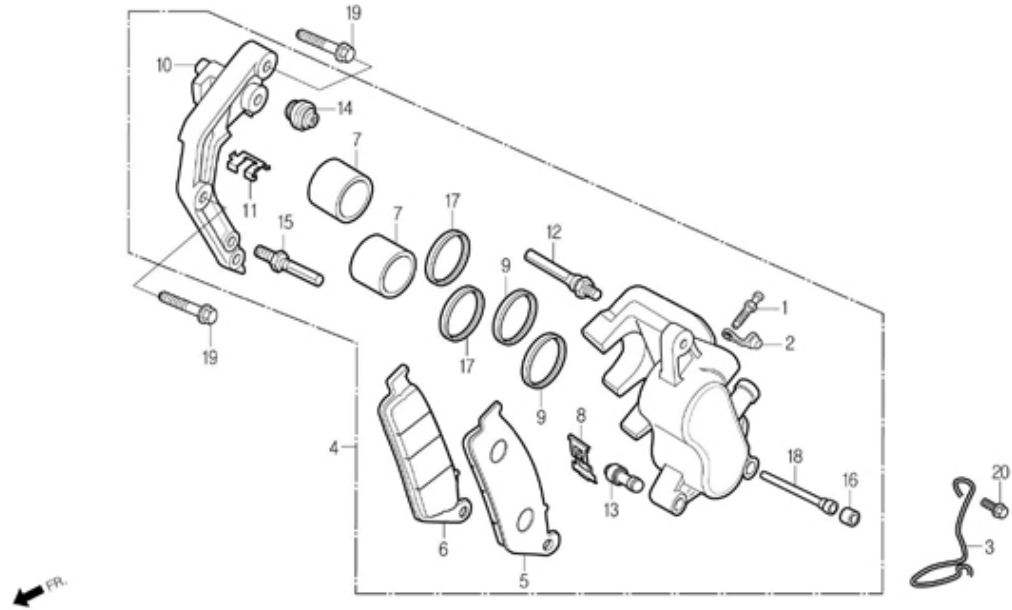
FRONT FORK



Service item	FRT	Ref. No.	Part No.	Description	QTY	A/S	Exch	Start Date	Start FRM.No	End FRM.No
		22	90601-BA5-9000	RING, OIL SEAL STOP	2	N		20061127	KMYBA1BLS7C300261	
		23	91255-BA5-9000	SEAL, OIL	2	Y		20061127	KMYBA1BLS7C300261	
		24	91356-BA5-9000	O-RING	2	Y		20061127	KMYBA1BLS7C300261	
		25	S5701-06010-08	BOLT, FLANGE 6x10	6	Y		20061127	KMYBA1BLS7C300261	

F-09

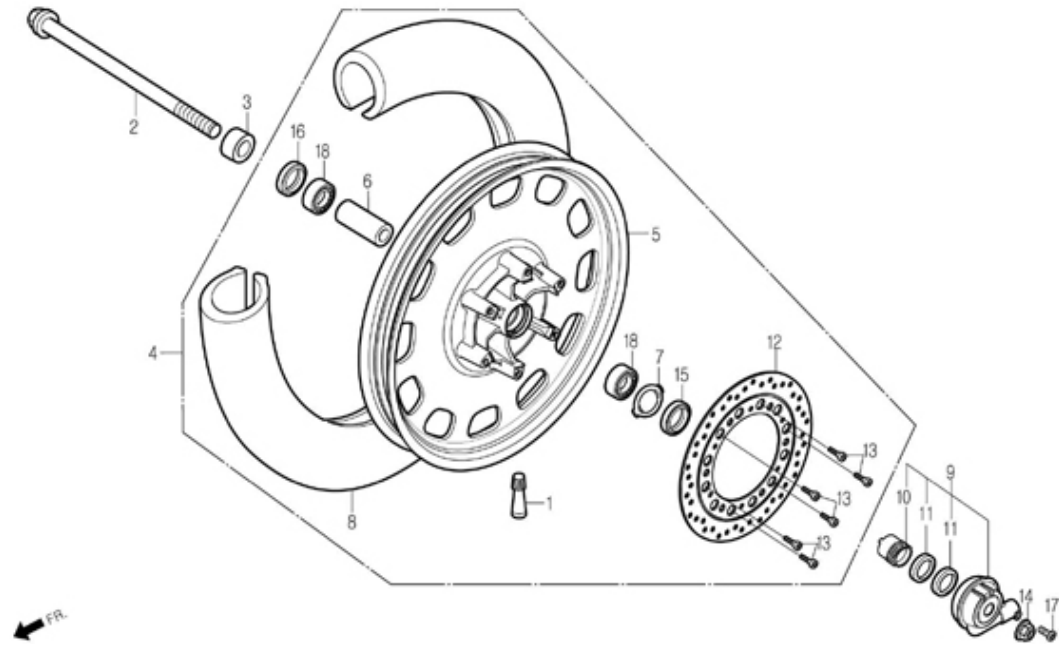
FRONT BRAKE CALIPER



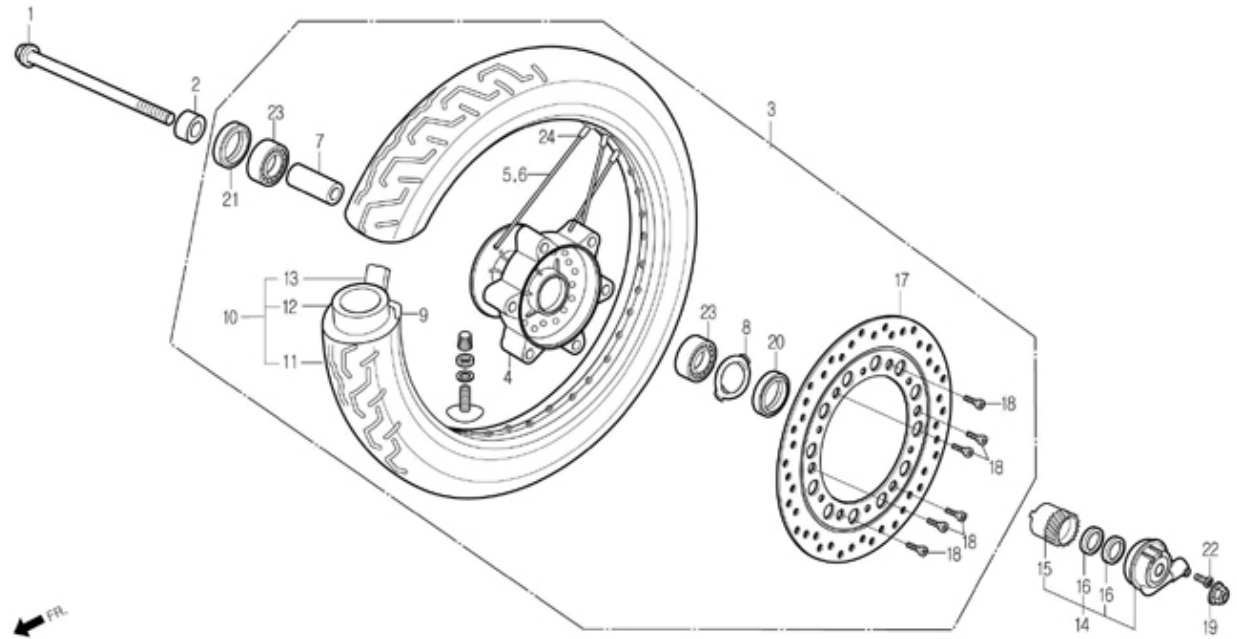
Service item	FRT	Ref. No.	Part No.	Description	QTY	A/S	Exch	Start Date	Start FRM.No	End FRM.No
PAD COMP.	0.1	1	43352-BA5-9000-M1	BLEEDER(DC)	1	N		20061127	KMYBA1BLS7C300261	
.BRACKET, CALIPER	0.2	2	43353-BA5-9000-M1	CAP, BLEEDER(DC)	1	N		20061127	KMYBA1BLS7C300261	
PISTON	0.5	3	44832-BA5-0000	CLAMP, SPEEDOMETER CABLE	1	Y		20061127	KMYBA1BLS7C300261	
(ADD 0.1 FOR EACH)	0.4	4	45100-BA5-RB00	CALIPER ASS'Y, LH.FR.	1	Y		20061127	KMYBA1BLS7C300261	
(INCLUDE RELATIVE PARTS)		5	45105-BA5-RB10-M1	PAD COMP., A(DC)	1	Y		20061127	KMYBA1BLS7C300261	
CALIPER ASS'Y, LH.FR.		6	45106-BA5-RB10-M1	PAD COMP., B(DC)	1	Y		20061127	KMYBA1BLS7C300261	
		7	45107-BA5-9000-M1	PISTON(DC)	2	N		20061127	KMYBA1BLS7C300261	
		8	45108-BA5-9000-M1	SPRING, PAD(DC)	1	N		20061127	KMYBA1BLS7C300261	
		9	45109-BA5-9000-M1	SEAL, DUST(DC)	2	N		20061127	KMYBA1BLS7C300261	
		10	45110-BA5-9000-M1	BRACKET, CALIPER (DC)	1	Y		20061127	KMYBA1BLS7C300261	
		11	45112-BA5-9000-M1	RETAINER(DC)	1	N		20061127	KMYBA1BLS7C300261	
		12	45131-BA5-9000-M1	BOLT, PIN (DC)	1	N		20061127	KMYBA1BLS7C300261	
		13	45132-BA5-9000-M1	BOOT, PIN BUSH (DC)	1	N		20061127	KMYBA1BLS7C300261	
		14	45133-BA5-9000-M1	BOOT, PIN(DC)	1	N		20061127	KMYBA1BLS7C300261	
		15	45135-BA5-9000-M1	BOLT A, PIN(DC)	1	N		20061127	KMYBA1BLS7C300261	
		16	45203-BA5-9000-M1	PLUG, PIN(DC)	1	N		20061127	KMYBA1BLS7C300261	
		17	45209-BA5-9000-M1	SEAL, PISTON(DC)	2	N		20061127	KMYBA1BLS7C300261	
		18	45215-BA5-9000-M1	PIN, HANGER (DC)	1	N		20061127	KMYBA1BLS7C300261	
		19	90101-BA5-0000	BOLT, SPECIAL FLANGE 8x32	2	Y		20061127	KMYBA1BLS7C300261	
		20	S5701-06012-07	BOLT, FLANGE 6x12	1	Y		20061127	KMYBA1BLS7C300261	

F-10

FRONT WHEEL



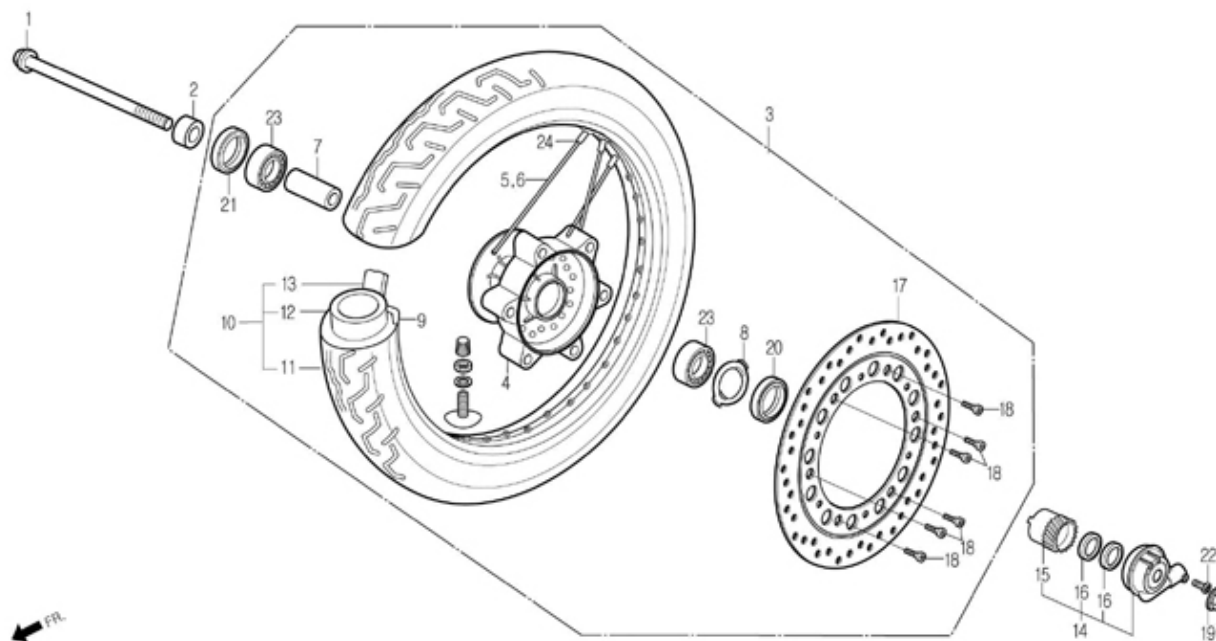
Service item	FRT	Ref. No.	Part No.	Description	QTY	A/S	Exch	Start Date	Start FRM.No	End FRM.No
AXLE, FR. WHEEL	0.2	1	42753-BA7-0000	VALVE, RIM TR 413	1	Y		20061127	KMYBA1BLS7C300261	
RIM, FR. WHEEL	2.2	2	44301-BA5-0000	AXLE, FR. WHEEL	1	Y		20061127	KMYBA1BLS7C300261	
TIRE, FR.	0.9	3	44311-BA5-0000	COLLAR, FR. WHEEL SIDE	1	Y		20061127	KMYBA1BLS7C300261	
COLLAR, FR. DISTANCE	0.4	4	44600-BA1-RB00	WHEEL ASS'Y, FR.	1	Y		20061127	KMYBA1BLS7C300261	
DISK, FR. BRAKE	0.3	5	44601-BA1-0000-M3	WHEEL, FR. CASTING	1	Y		20061127	KMYBA1BLS7C300261	
BEARING, RADIAL BALL 6302U (ADD 0.1 FOR EACH)		6	44620-BA5-9000	COLLAR, FR. DISTANCE	1	N		20061127	KMYBA1BLS7C300261	
BOX ASS'Y, SPEEDOMETER GEAR		7	44680-BA6-0000	RETAINER, GEAR BOX	1	Y		20061127	KMYBA1BLS7C300261	
DISK, LH. FR. BRAKE		8	44711-BA7-9010-M1	TIRE, FR.	1	Y		20061127	KMYBA1BLS7C300261	
		9	44800-BA5-9000-M3	BOX ASS'Y, SPEEDOMETER GEAR	1	Y		20061127	KMYBA1BLS7C300261	
		10	44806-BA5-9000-M3	GEAR, SPEEDOMETER	1	N		20061127	KMYBA1BLS7C300261	
		11	44809-BA6-0000-M3	WASHER, GEAR	2	N		20061127	KMYBA1BLS7C300261	
		12	45351-BA5-9010-M1	DISK, LH. FR. BRAKE(LONZHONG)	1	Y		20061127	KMYBA1BLS7C300261	
		13	90106-BA5-0000	BOLT, FR. DISK 8x24	6	Y		20061127	KMYBA1BLS7C300261	
		14	90305-SE5-0000	NUT, U 14mm	1	Y		20061127	KMYBA1BLS7C300261	
		15	91257-BA6-0030	SEAL, OIL 28x42x7	1	N		20061127	KMYBA1BLS7C300261	
		16	91258-BA6-0060	SEAL, DUST 40x50x5	1	N		20061127	KMYBA1BLS7C300261	
		17	S3700-05016-0G	SCREW, OVAL 5x16	1	Y		20061127	KMYBA1BLS7C300261	
		18	S6140-63020-10	BEARING, RADIAL BALL 6302(U)	2	N		20061127	KMYBA1BLS7C300261	

F-10-L**FRONT WHEEL**

Service item	FRT	Ref. No.	Part No.	Description	QTY	A/S	Exch	Start Date	Start FRM.No	End FRM.No
AXLE, FR.WHEEL	0.2	1	44301-BA5-0000	AXLE, FR.WHEEL	1	Y		20061115	KMYBA1BLS7C300001	
RIM ASS'Y, FR.WHEEL	2.2	2	44311-BA5-0000	COLLAR, FR.WHEEL SIDE	1	Y		20061115	KMYBA1BLS7C300001	
HUB COMP., FR.WHEEL	0.2	3	44600-BA1-RB10	WHEEL ASS'Y, FR.	1	Y		20061115	KMYBA1BLS7C300001	
COLLAR, FR.WHEEL DISTANCE	0.4	7	44601-BA1-RB00	HUB, FR.WHEEL	1	Y		20061115	KMYBA1BLS7C300001	
DISK, FR.BRAKE	0.9	4	44601-BA1-RB00	HUB, FR.WHEEL	1	Y		20061115	KMYBA1BLS7C300001	
BEARING, RADIAL BALL 6302U (ADD 0.1 FOR EACH)	0.2	5	44605-BA1-RB00-M2	SPOKE, A10x196.5(IN)	18	Y		20061115	KMYBA1BLS7C300001	
TIRE, FR.		6	44606-BA1-RB00-M2	SPOKE, A10x196(OUT)	18	Y		20061115	KMYBA1BLS7C300001	
TUBE, FF.WHEEL		7	44620-BA5-9000	COLLAR, FR.DISTANCE	1	N		20061115	KMYBA1BLS7C300001	
		8	44680-BA6-0000	RETAINER, GEAR BOX	1	Y		20061115	KMYBA1BLS7C300001	
		9	44701-BA1-RB00-M2	RIM, FR.WHEEL	1	Y		20061115	KMYBA1BLS7C300001	
		10	44710-BA1-RB00	TIRE ASS'Y, FR.	1	Y		20061115	KMYBA1BLS7C300001	
		11	44711-BA1-RB00-M1	TIRE, FR.	1	Y		20061115	KMYBA1BLS7C300001	
		12	44712-BA1-RB00-M1	TUBE, FR.TIRE	1	Y		20061115	KMYBA1BLS7C300001	
		13	44713-BA1-RB00-M1	FLAP, FR.TIRE	1	Y		20061115	KMYBA1BLS7C300001	
		14	44800-BA5-9000-M3	BOX ASS'Y, SPEEDOMETER GEAR	1	Y		20061115	KMYBA1BLS7C300001	
		15	44806-BA5-9000-M3	GEAR, SPEDOMETER	1	N		20061115	KMYBA1BLS7C300001	
		16	44809-BA6-0000-M3	WASHER, GEAR	2	N		20061115	KMYBA1BLS7C300001	
		17	45351-BA5-9010-M1	DISK, LH.FR.BRAKE(LONZHONG)	1	Y		20061115	KMYBA1BLS7C300001	
		18	90106-BA5-0000	BOLT, FR.DISK 8x24	6	Y		20061115	KMYBA1BLS7C300001	
		19	90305-SE5-0000	NUT, U 14mm	2	Y		20061115	KMYBA1BLS7C300001	
		20	91257-BA6-0030	SEAL, OIL 28x42x7	1	Y		20061115	KMYBA1BLS7C300001	
		21	91258-BA6-0060	SEAL, DUST 40x50x5	1	Y		20061115	KMYBA1BLS7C300001	

F-10-L

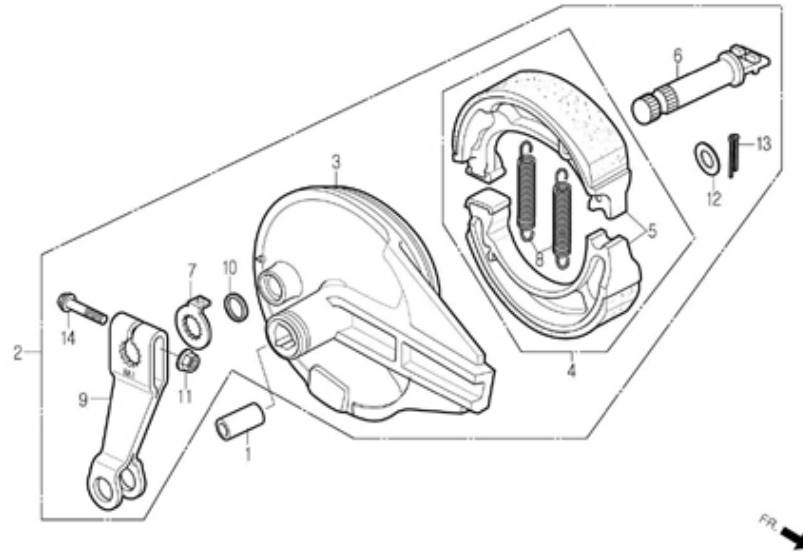
FRONT WHEEL



Service item	FRT	Ref. No.	Part No.	Description	QTY	A/S	Exch	Start Date	Start FRM.No	End FRM.No
		22	S3700-05016-0G	SCREW, OVAL 5X16	1	Y		20061115	KMYBA1BLS7C300001	
		23	S6140-63020-10	BEARING, RADIAL BALL 6302(U)	2	Y		20061115	KMYBA1BLS7C300001	
		24	S7000-BA1-RB00-M2	NIPPLE, SPOKE 10	36	Y		20061115	KMYBA1BLS7C300001	

F-11

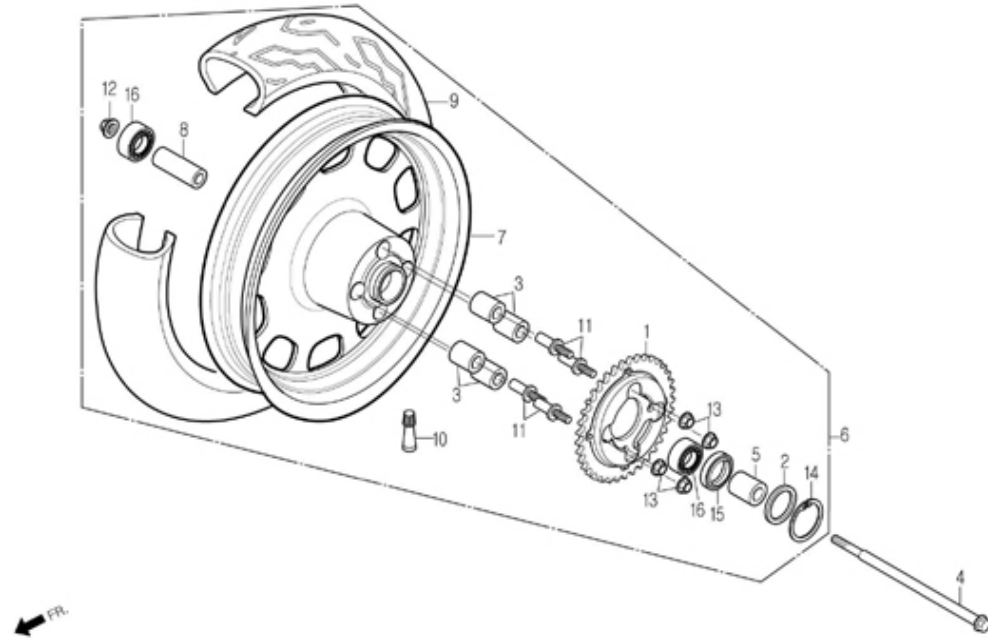
REAR BRAKE PANEL



Service item	FRT	Ref. No.	Part No.	Description	QTY	A/S	Exch	Start Date	Start FRM.No	End FRM.No
SHOE SET, RR.BRAKE	0.5	1	42312-BA7-0000	COLLAR, RR.AXLE	1	Y		20061127	KMYBA1BLS7C300261	
.PANEL COMP., RR.BRAKE	0.3	2	43000-BA1-0000	PANEL ASS'Y, RR.BRAKE	1	Y		20061127	KMYBA1BLS7C300261	
(INCLUDE RELATIVE PARTS)		3	43100-BA5-9000	PANEL COMP., RR.BRAKE	1	Y		20061127	KMYBA1BLS7C300261	
(SAME TIME AT TWO PARTS)		4	4312A-BA7-0000-EU	SHOE SET, RR.BRAKE	1	Y		20061127	KMYBA1BLS7C300261	
ARM, RR.BRAKE		5	43120-BA7-0000-EU	SHOE COMP., RR.BRAKE	1	N		20061127	KMYBA1BLS7C300261	
		6	43141-BA6-0000	CAM, RR.BRAKE	1	Y		20061127	KMYBA1BLS7C300261	
		7	43145-BA6-0000	INDICATOR, RR.BRAKE	1	Y		20061127	KMYBA1BLS7C300261	
		8	43151-BA6-0000	SPRING, RR.BRAKE SHOE	2	N		20061127	KMYBA1BLS7C300261	
		9	43410-BA1-0000	ARM, RR.BRAKE	1	Y		20061127	KMYBA1BLS7C300261	
		10	45134-CB2-0000	SEAL, BRAKE CAM DUST	1	Y		20061127	KMYBA1BLS7C300261	
		11	90301-BA5-8800	NUT, U 6mm	1	Y		20061127	KMYBA1BLS7C300261	
		12	90524-BA6-0000	WASHER A, HANDLE HOLDER	1	Y		20061127	KMYBA1BLS7C300261	
		13	S4201-20200	PIN, SPLIT 2x20	1	Y		20061127	KMYBA1BLS7C300261	
		14	S5701-06035-00	BOLT, FLANGE 6x35	1	N		20061127	KMYBA1BLS7C300261	

F-12

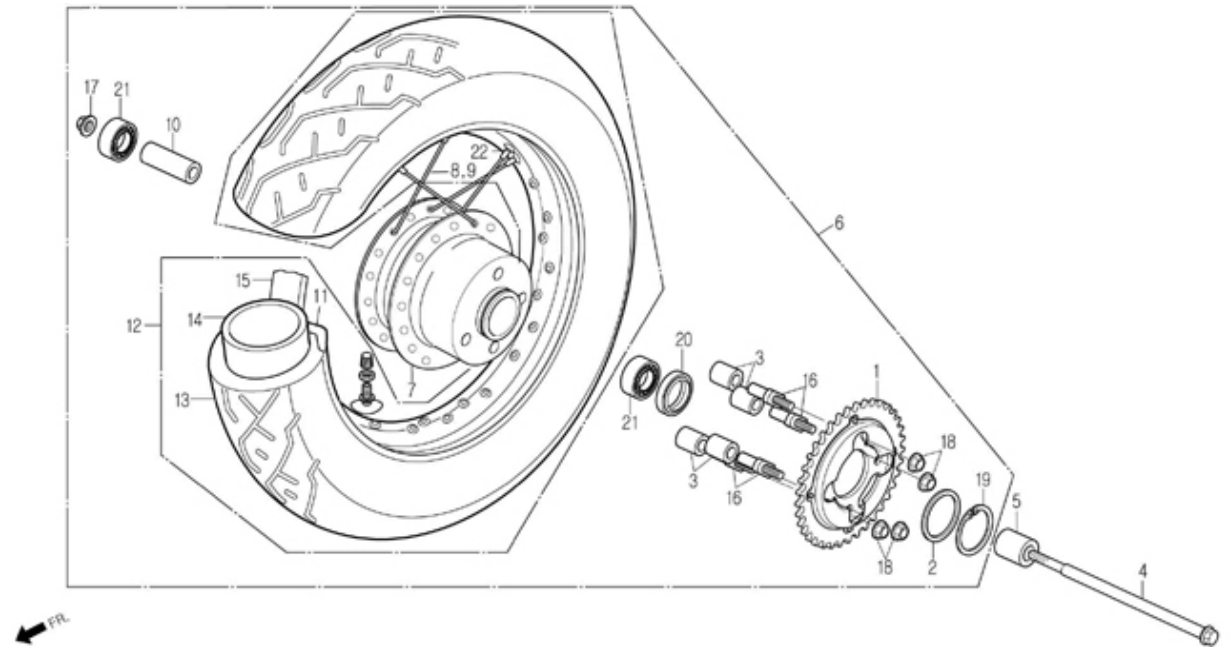
REAR WHEEL



Service item	FRT	Ref. No.	Part No.	Description	QTY	A/S	Exch	Start Date	Start FRM.No	End FRM.No
SPROCKET, FINAL DRIVEN 42T COLLAR, RR.DISTANCE BEARING, RADIAL BALL 6302U (ADD 0.1 FOR EACH)	0.5	1	41200-BA1-R300	SPROCKET COMP., FINAL DRIVEN 45T	1	Y		20061127	KMYBA1BLS7C300261	
		2	41202-BA5-0000	WASHER, 53mm	1	Y		20061127	KMYBA1BLS7C300261	
		3	41241-BA6-0200	BUSH, RR.WHEEL DAMPER	4	Y		20061127	KMYBA1BLS7C300261	
		4	42301-BA1-0000	AXLE, RR.WHEEL	1	Y		20061127	KMYBA1BLS7C300261	
		5	42304-BA7-0000	COLLAR, RR.WHEEL SIDE	1	Y		20061127	KMYBA1BLS7C300261	
WHEEL COMP., RR.CASTING	2.3									
TIRE, RR.	1.0	6	42600-BA1-R300	WHEEL ASS'Y,RR.	1	Y		20061127	KMYBA1BLS7C300261	
		7	42601-BA1-0000-M3	WHEEL COMP., RR.CASTING(W.F)	1	Y		20061127	KMYBA1BLS7C300261	
		8	42620-BA5-9000	COLLAR, RR.DISTANCE	1	N		20061127	KMYBA1BLS7C300261	
		9	42711-BA5-9000	TIRE, RR.	1	Y		20061127	KMYBA1BLS7C300261	
		10	42753-BA7-0000	VALVE, RIM TR 413	1	Y		20061127	KMYBA1BLS7C300261	
		11	90128-BA1-0000	BOLT, DRIVEN PROCKET FIXING	4	Y		20061127	KMYBA1BLS7C300261	
		12	90305-CB2-0030	NUT, U 14mm	1	Y		20061127	KMYBA1BLS7C300261	
		13	90308-BA6-6700	NUT, FLANGE 10mm	4	Y		20061127	KMYBA1BLS7C300261	
		14	90664-BA6-8100	CIRCLIP, EXTENAL 53	1	Y		20061127	KMYBA1BLS7C300261	
		15	91257-BA6-0030	SEAL, OIL 28x42x7	1	N		20061127	KMYBA1BLS7C300261	
		16	S6140-63020-10	BEARING, BALL RADIAL 6302(U)	2	N		20061127	KMYBA1BLS7C300261	

F-12-L

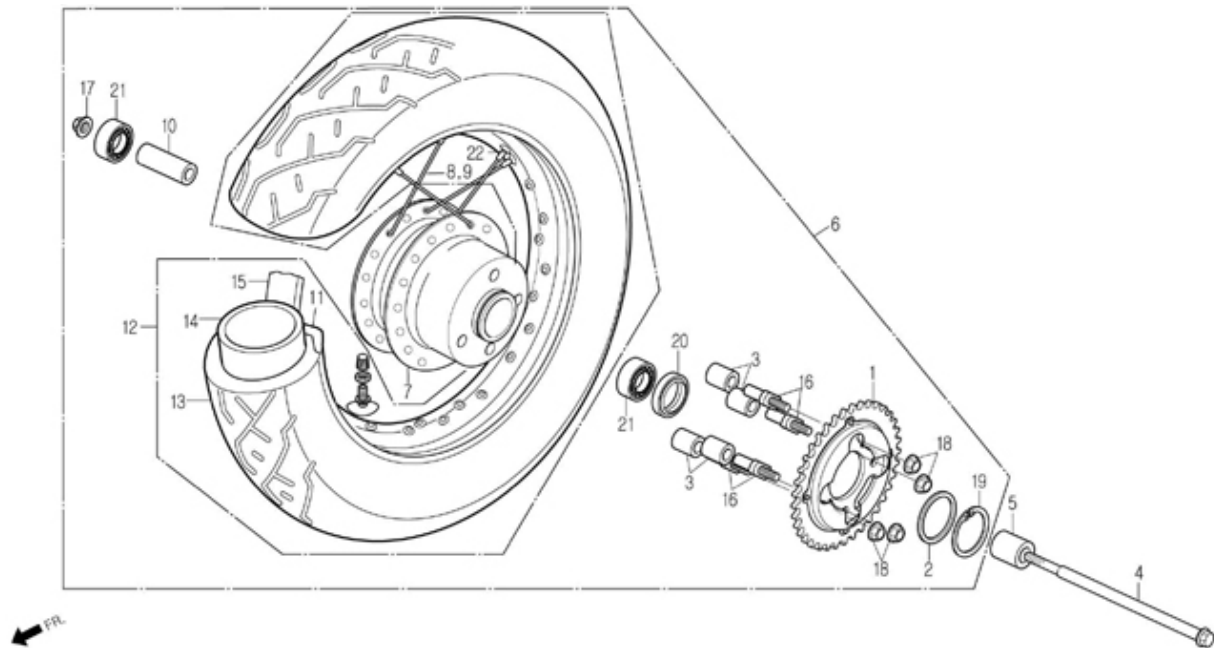
REAR WHEEL



Service item	FRT	Ref. No.	Part No.	Description	QTY	A/S	Exch	Start Date	Start FRM.No	End FRM.No
SPROCKET, FINAL DRIVEN	0.5	1	41200-BA1-R300	SPROCKET ASS'Y, FINAL DRIVEN, 45T	1	Y		20061115	KMYBA1BLS7C300001	
RETAINER, RR.WHEEL BEARING	0.4	2	41202-BA5-0000	WASHER, 53mm	1	Y		20061115	KMYBA1BLS7C300001	
COLLAR, RR.WHEEL DISTANCE (ADD 0.1 FOR EACH)	1.0 2.7	3	41241-BA6-0200	BUSH, RR.WHEEL DAMPER	4	Y		20061115	KMYBA1BLS7C300001	
BEARING, RADIAL BALL 6302U (ADD 0.1 FOR EACH)	2.4	4	42301-BA1-0000	AXLE, RR.WHEEL	1	Y		20061115	KMYBA1BLS7C300001	
AXLE, RR.WHEEL		5	42304-BA7-0000	COLLAR, RR.WHEEL SIDE	1	Y		20061115	KMYBA1BLS7C300001	
HUB COMP., RR.WHEEL		6	42600-BA1-L300	WHEEL ASS'Y, RR.(SPOKE)	1	Y		20061115	KMYBA1BLS7C300001	
RIM, RR.WHEEL		7	42601-BA1-RB00	HUB COMP., REAR	1	Y		20061115	KMYBA1BLS7C300001	
TIRE, RR.		8	42605-BA1-RB00-M2	SPOKE, B9x123(IN)	18	Y		20061115	KMYBA1BLS7C300001	
TUBE, TIRE		9	42606-BA1-RB00-M2	SPOKE, B9x122.5(OUT)	18	Y		20061115	KMYBA1BLS7C300001	
		10	42620-BA5-9000	COLLAR, RR.DISTANCE	1	N		20061115	KMYBA1BLS7C300001	
		11	42701-BA1-RB00-M2	RIM, RR.WHEEL	1	Y		20061115	KMYBA1BLS7C300001	
		12	42710-BA1-RB00	TIRE ASS'Y, RR.	1	Y		20061115	KMYBA1BLS7C300001	
		13	42711-BA1-RB00-M1	TIRE, RR.	1	Y		20061115	KMYBA1BLS7C300001	
		14	42712-BA1-RB00-M1	TUBE, RR.TIRE	1	Y		20061115	KMYBA1BLS7C300001	
		15	42713-BA1-RB00-M1	FLAP, RR.TIRE	1	Y		20061115	KMYBA1BLS7C300001	
		16	90128-BA1-0000	BOLT, DRIVEN PROCKET FIXING	4	Y		20061115	KMYBA1BLS7C300001	
		17	90305-CB2-0030	NUT, U 14mm	1	Y		20061115	KMYBA1BLS7C300001	
		18	90308-BA6-6700	NUT, FLANGE 10mm	4	Y		20061115	KMYBA1BLS7C300001	
		19	90664-BA6-8100	CIRCLIP, EXTENAL 53	1	Y		20061115	KMYBA1BLS7C300001	
		20	91257-BA6-0030	SEAL, OIL 28x42x7	1	Y		20061115	KMYBA1BLS7C300001	
		21	S6140-63020-10	BEARING, RADIAL BALL 6302(U)	2	Y		20061115	KMYBA1BLS7C300001	

F-12-L

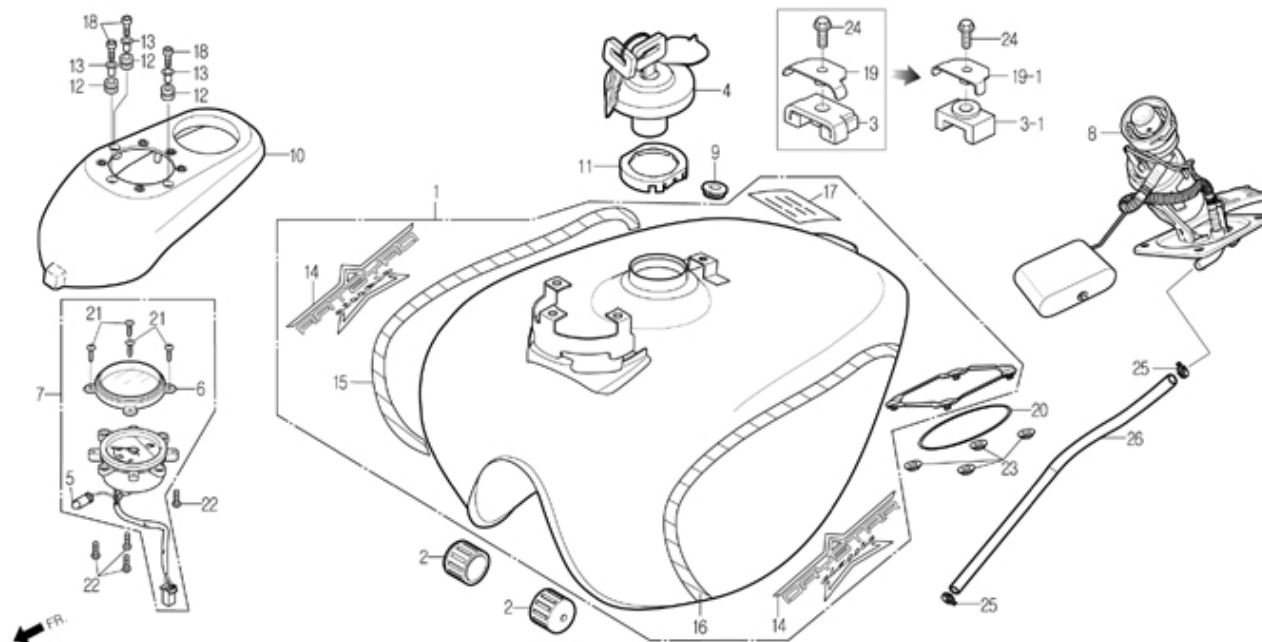
REAR WHEEL



Service item	FRT	Ref. No.	Part No.	Description	QTY	A/S	Exch	Start Date	Start FRM.No	End FRM.No
		22	S7000-BA1-RB00-M2	NIPPLE, SPOKE 10	36	Y		20061115	KMYBA1BLS7C300001	

F-13

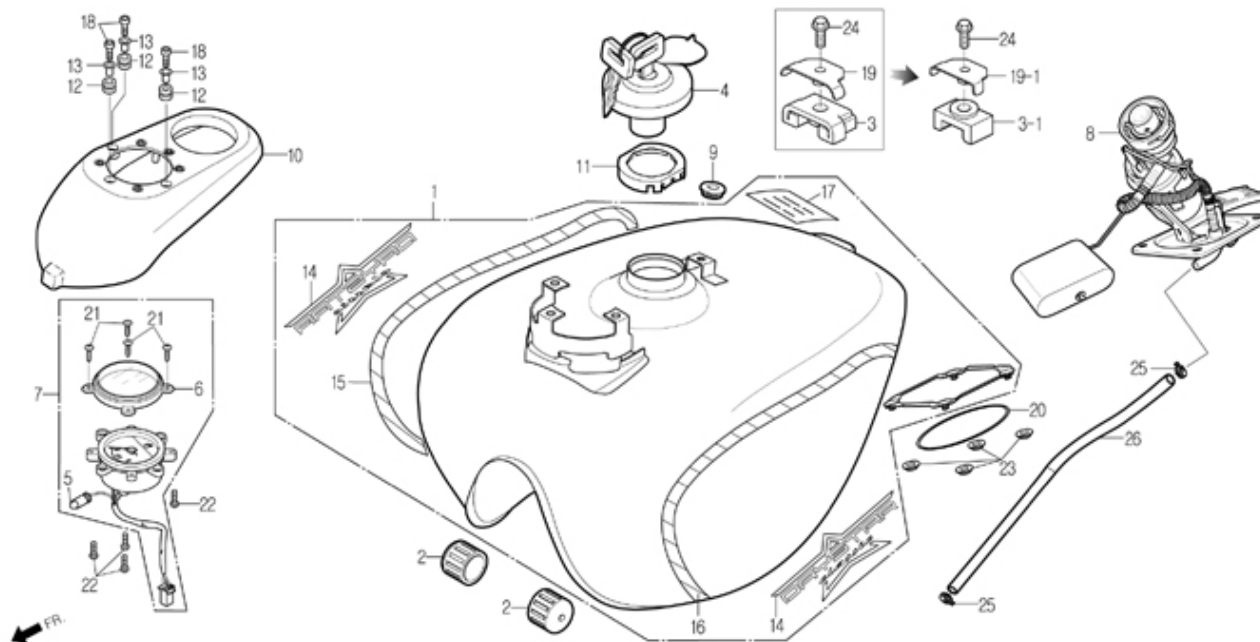
FUEL TANK



Service item	FRT	Ref. No.	Part No.	Description	QTY	A/S	Exch	Start Date	Start FRM.No	End FRM.No
COCK ASS'Y, FUEL	0.2	1	1751A-BA1-R300-2G	TANK SET, FUEL(G+BLACK)	1	Y	N	20061127	KMYBA1BLS7C300261	KMYBA1BLS8C302906
TANK SET, FUEL	0.2		1751A-BA1-R310-2G	TANK SET, FUEL(G+BLACK)	1	Y	Y	20080117	KMYBA1BLS8C302907	KMYBA1BLS9C304466
_COVER, FUEL LMETER	0.2		1751A-BA1-R320-2G	TANK SET, FUEL(G+BLACK)	1	Y		20081001	KMYBA1BLS9C304467	
METER ASS'Y, FUEL			1751A-BA1-R300-2N	TANK SET, FUEL(O+BEIGE)	1	Y	N	20061127	KMYBA1BLS7C300261	KMYBA1BLS8C302906
UNIT ASS'Y, FUEL			1751A-BA1-R310-2N	TANK SET, FUEL(O+BEIGE)	1	Y	Y	20080117	KMYBA1BLS8C302907	KMYBA1BLS9C304466
PUMP, FUEL			1751A-BA1-R320-2N	TANK SET, FUEL(O+BEIGE)	1	Y		20081001	KMYBA1BLS9C304467	
			1751A-BA1-R300-2O	TANK SET, FUEL(R+SILVER)	1	Y	N	20061127	KMYBA1BLS7C300261	KMYBA1BLS8C302906
			1751A-BA1-R310-2O	TANK SET, FUEL(R+SILVER)	1	Y	Y	20080117	KMYBA1BLS8C302907	KMYBA1BLS9C304466
			1751A-BA1-R320-2O	TANK SET, FUEL(R+SILVER)	1	Y		20081001	KMYBA1BLS9C304467	
			1751A-BA1-R300-PB	TANK SET, FUEL(P+BLACK)	1	Y	N	20061127	KMYBA1BLS7C300261	KMYBA1BLS8C302906
			1751A-BA1-R310-PB	TANK SET, FUEL(P+BLACK)	1	Y	Y	20080117	KMYBA1BLS8C302907	KMYBA1BLS9C304466
			1751A-BA1-R320-PB	TANK SET, FUEL(P+BLACK)	1	Y		20081001	KMYBA1BLS9C304467	
		2	17611-BA6-0000	CUSHION, FUEL TANK FR.	2	Y	N	20061127	KMYBA1BLS7C300261	KMYBA1BLS8C302906
			17611-BA1-0000	CUSHION, FUEL TANK FR.	2	Y		20080117	KMYBA1BLS8C302907	
		3	17613-HD2-8900	CUSHION, FUEL TANK RR.	1	Y	N	20061127	KMYBA1BLS7C300261	KMYBA1BLS8C302906
		3-1	17613-BA1-0000	CUSHION, FUEL TANK RR.	1	Y		20080117	KMYBA1BLS8C302907	
		4	17620-BA7-RB00	CAP COMP., FUEL FILLER	1	N		20061127	KMYBA1BLS7C300261	
		5	34908-BA6-9510-M1	BULB, WEDGE BASE T6.5	1	Y		20061127	KMYBA1BLS7C300261	
		6	37212-BA1-0000	LENS	1	Y		20061127	KMYBA1BLS7C300261	
		7	3730A-BA1-0000	METER ASS'Y, FUEL	1	Y		20061127	KMYBA1BLS7C300261	
		8	16700-BA1-R300-M1	PUMP ASS'Y, FUEL	1	Y		20061127	KMYBA1BLS7C300261	
		9	64315-CD1-0000	GROMMET, TOP COVER	1	Y		20061127	KMYBA1BLS7C300261	
		10	83400-BA1-0010	COVER, FUEL METER	1	Y		20061127	KMYBA1BLS7C300261	

F-13

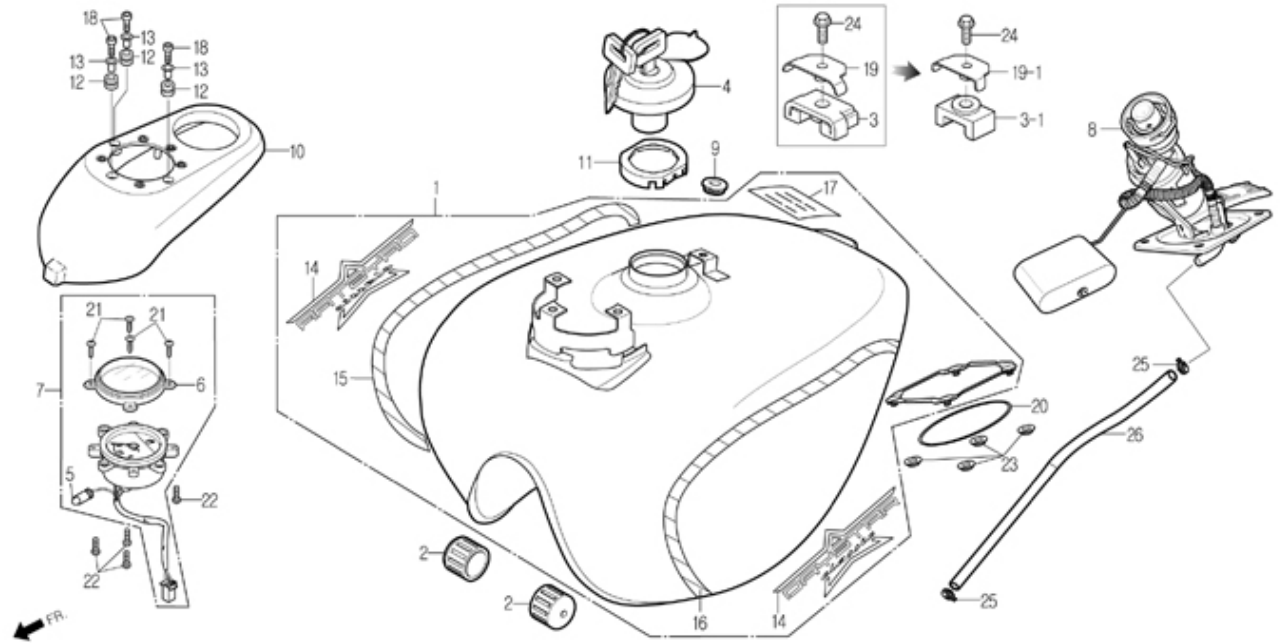
FUEL TANK



Service item	FRT	Ref. No.	Part No.	Description	QTY	A/S	Exch	Start Date	Start FRM.No	End FRM.No
		11	83520-BA1-0000	RUBBER, METER COVER SEALING	1	Y		20061127	KMYBA1BLS7C300261	
		12	84303-BA1-0000	RUBBER A, FR.METER COVER SETTING	3	Y		20061127	KMYBA1BLS7C300261	
		13	84304-BA1-0000	COLLAR A, FR.METER COVER SETTING	3	Y		20061127	KMYBA1BLS7C300261	
		14	87121-BA1-R300	MARK, FUEL TANK RH.	2	Y		20061127	KMYBA1BLS7C300261	
		15	87125-BA1-R300-2G	STRIPE, RH.FUEL TANK(G+BLACK)	1	Y		20061127	KMYBA1BLS7C300261	
			87125-BA1-R300-2N	STRIPE, RH.FUEL TANK(O+BEIGE)	1	Y		20061127	KMYBA1BLS7C300261	
			87125-BA1-R300-2O	STRIPE, RH.FUEL TANK(R+SILVER)	1	Y		20061127	KMYBA1BLS7C300261	
			87125-BA1-R300-PB	STRIPE, RH.FUEL TANK(P+BLACK)	1	Y		20061127	KMYBA1BLS7C300261	
		16	87126-BA1-R300-2G	STRIPE, LH.FUEL TANK(G+BLACK)	1	Y		20061127	KMYBA1BLS7C300261	
			87126-BA1-R300-2N	STRIPE, LH.FUEL TANK(O+BEIGE)	1	Y		20061127	KMYBA1BLS7C300261	
			87126-BA1-R300-2O	STRIPE, LH.FUEL TANK(R+SILVER)	1	Y		20061127	KMYBA1BLS7C300261	
			87126-BA1-R300-PB	STRIPE, LH.FUEL TANK(P+BLACK)	1	Y		20061127	KMYBA1BLS7C300261	
		17	87560-BA7-9000-EX	MARK, DRIVE CAUTION(ENGLISH)	1	Y		20061127	KMYBA1BLS7C300261	
		18	90185-BA1-0010	BOLT, HEX SOCKET	3	Y		20061127	KMYBA1BLS7C300261	
		19	90324-BA1-0100	COLLAR, FUEL TANK RR.	1	Y	N	20061127	KMYBA1BLS7C300261	KMYBA1BLS8C302906
		19-1	90324-BA1-0200	COLLAR, FUEL TANK RR.	1	Y		20080117	KMYBA1BLS8C302907	
		20	91305-BA1-R300	O-RING(64.8x54.8)	1	N	Y	20061127	KMYBA1BLS7C300261	KMYBA1BLS8C303626
			91305-BA1-R310	O-RING(64.8x54.8)	1	Y		20080421	KMYBA1BLS8C303627	
		21	S3903-24420	SCREW, TAPPING 4x16	4	Y		20061127	KMYBA1BLS7C300261	
		22	S3903-34320	SCREW, TAPPING 4x12	4	Y		20061127	KMYBA1BLS7C300261	
		23	S4050-06080	NUT, FLANGE. 6mm	4	Y		20061127	KMYBA1BLS7C300261	
		24	S5701-08025-08	BOLT, FLANGE 8x25	1	Y		20061127	KMYBA1BLS7C300261	

F-13

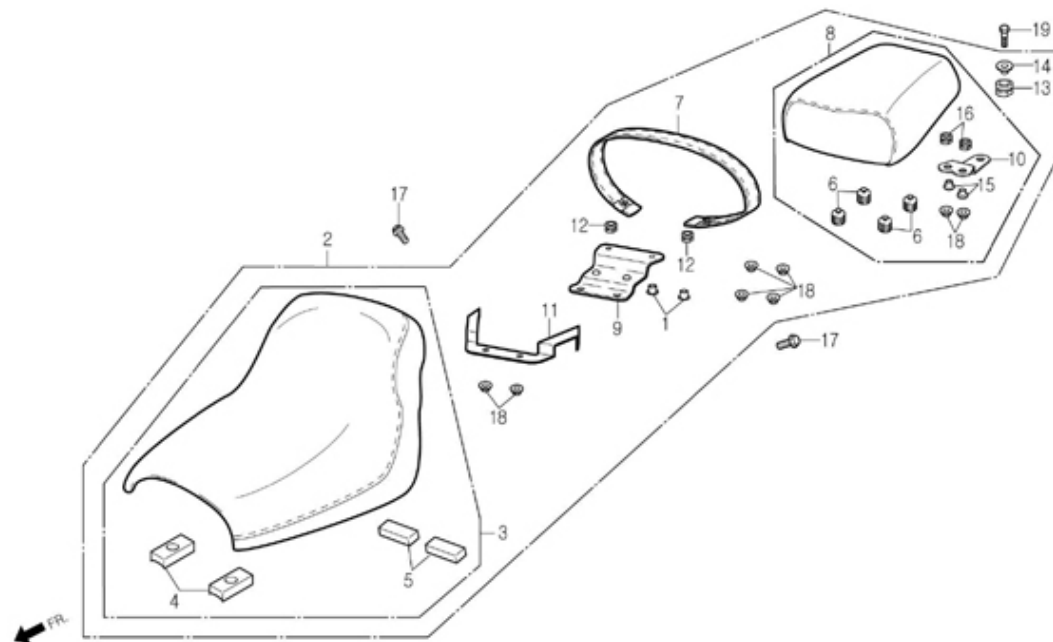
FUEL TANK



Service item	FRT	Ref. No.	Part No.	Description	QTY	A/S	Exch	Start Date	Start FRM.No	End FRM.No
		25	17637-BA1-R300	CLIP, HOSE	2	Y		20061127	KMYBA1BLS7C300261	
		26	17636-BA1-R300	TUBE, FUEL 8x103.5	1	N	Y	20061127	KMYBA1BLS7C300261	KMYBA1BLS9C304008
			17636-BA1-R300-M1	TUBE, FUEL 8x103.5	1	Y		20080617	KMYBA1BLS9C304009	

F-14

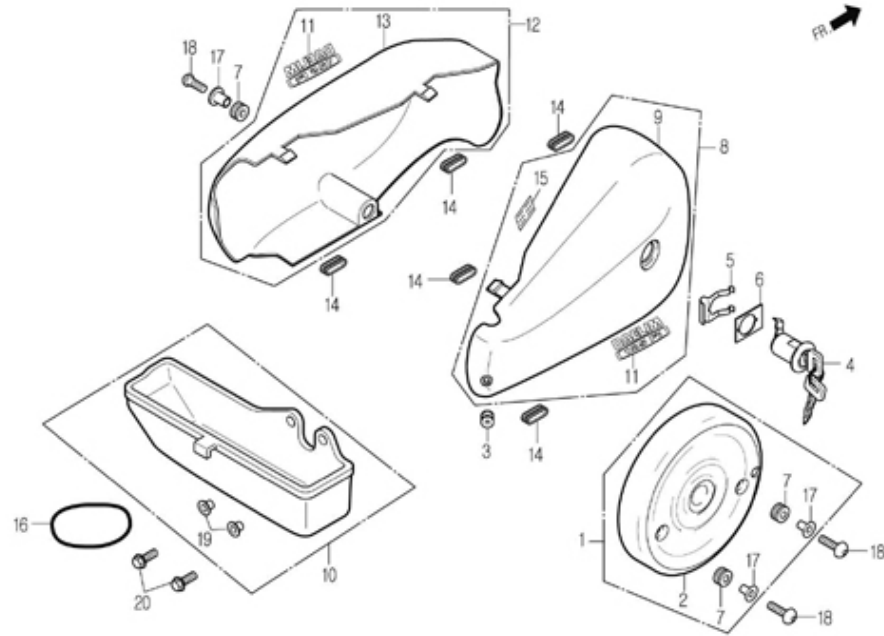
SEAT



Service item	FRT	Ref. No.	Part No.	Description	QTY	A/S	Exch	Start Date	Start FRM.No	End FRM.No
SEAT ASS'Y .SEAT COMP., MAIN .BELT COMP., SEAT .SEAT COMP., RR.	0.1	1	19052-BA6-0000	COLLAR, RADIATOR MOUNTING	2	Y		20061127	KMYBA1BLS7C300261	
		2	77100-BA1-0000	SEAT ASS'Y	1	Y		20061127	KMYBA1BLS7C300261	
		3	77200-BA1-0000	SEAT COMP., MAIN	1	Y		20061127	KMYBA1BLS7C300261	
		4	77204-BA5-9000	RUBBER A, SEAT CUSHION	2	Y		20061127	KMYBA1BLS7C300261	
		5	77205-BA6-0000	RUBBER B, SEAT SETTING	2	Y		20061127	KMYBA1BLS7C300261	
		6	77206-BA7-9000	RUBBER B, SEAT CUSHION	4	Y		20061127	KMYBA1BLS7C300261	
		7	77210-BA5-9000	BELT COMP., SEAT	1	Y		20061127	KMYBA1BLS7C300261	
		8	77300-BA1-0000	SEAT COMP., RR.	1	Y		20061127	KMYBA1BLS7C300261	
		9	77301-BA1-0000	BRACKET COMP., SEAT	1	Y		20061127	KMYBA1BLS7C300261	
		10	77302-BA5-9000	STAY B, RR.SEAT	1	N		20061127	KMYBA1BLS7C300261	
		11	77303-BA1-0000	STAY, MAIN SEAT	1	Y		20061127	KMYBA1BLS7C300261	
		12	80101-BA5-1000	RUBBER, RR.FENDER(CUSHION)	2	Y		20061127	KMYBA1BLS7C300261	
		13	80107-BA5-0000	RUBBER, RR.FENDER	1	Y		20061127	KMYBA1BLS7C300261	
		14	90001-BA5-0000	COLLAR, SIDE MOUNT	1	Y		20061127	KMYBA1BLS7C300261	
		15	90512-BA5-9300	WASHER, 6x20	2	Y		20061127	KMYBA1BLS7C300261	
		16	90852-BA5-0000	RUBBER, CONTROL BOX (MTG)	2	Y		20061127	KMYBA1BLS7C300261	
		17	S3404-06016-08	BOLT, WASHER 6x16	2	Y		20061127	KMYBA1BLS7C300261	
		18	S4050-06080	NUT, FLANGE 6mm	8	Y		20061127	KMYBA1BLS7C300261	
		19	S6001-06016-02	BOLT, FLANGE SH 6x16	1	Y		20061127	KMYBA1BLS7C300261	

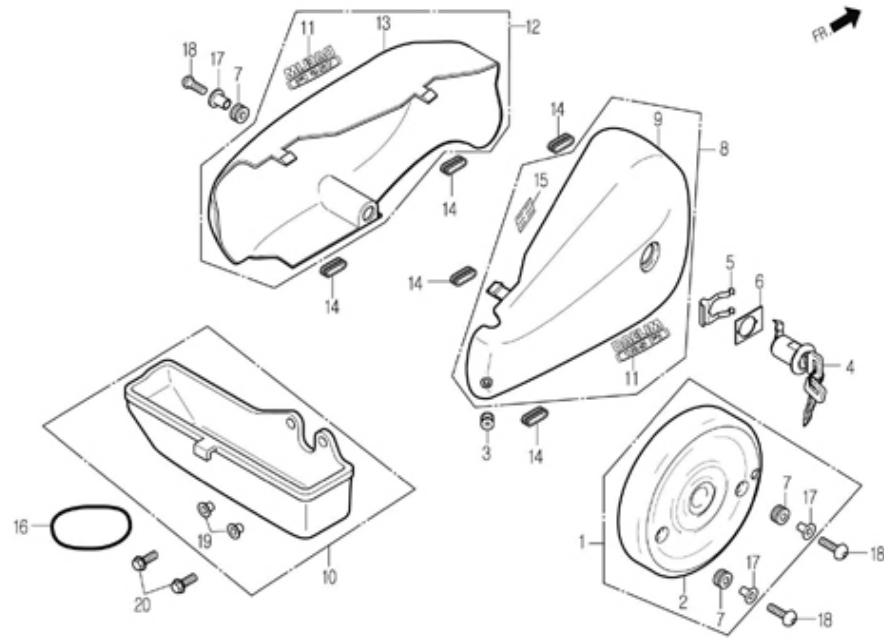
F-15

SIDE COVER



Service item	FRT	Ref. No.	Part No.	Description	QTY	A/S	Exch	Start Date	Start FRM.No	End FRM.No
COVER ASS'Y, SIDE COVER, AIR CLEANER RH.	0.1	1	1722A-BA1-0000	COVER ASS'Y, AIR CLEANER RH.	1	Y		20061127	KMYBA1BLS7C300261	
		2	17222-BA1-0000	COVER, AIR CLEANER RH.	1	N		20061127	KMYBA1BLS7C300261	
		3	50142-BA7-9700	GROMMET, SIDE COVER	1	Y		20061127	KMYBA1BLS7C300261	
		4	64228-BA5-RB00	LOCK ASS'Y, POCKET LID	1	N		20061127	KMYBA1BLS7C300261	
		5	75581-SC1-9500	SET SPRING, LOCK KEY	1	Y		20061127	KMYBA1BLS7C300261	
		6	77236-SE5-0000	WASHER, SEAT LOCK	1	Y		20061127	KMYBA1BLS7C300261	
		7	80101-BA5-0000	RUBBER, RR.FENDER CUSHION	3	Y		20061127	KMYBA1BLS7C300261	
		8	8350A-BA1-R300-AB	COVER ASS'Y, RH.SIDE(A/BEIGE)	1	Y		20061127	KMYBA1BLS7C300261	
			8350A-BA1-R300-LS	COVER ASS'Y, RH.SIDE(L/SILVER)	1	Y		20061127	KMYBA1BLS7C300261	
			8350A-BA1-R300-PB	COVER ASS'Y, RH.SIDE(P/BLACK)	1	Y		20061127	KMYBA1BLS7C300261	
		9	83500-BA1-0100-AB	COVER, RH.SIDE(A/BEIGE)	1	N		20061127	KMYBA1BLS7C300261	
			83500-BA1-0100-LS	COVER, RH.SIDE(L/SILVER)	1	N		20061127	KMYBA1BLS7C300261	
			83500-BA1-0100-PB	COVER, RH.SIDE(P/BLACK)	1	N		20061127	KMYBA1BLS7C300261	
		10	83501-BA5-9000	BOX, TOOL	1	Y		20061127	KMYBA1BLS7C300261	
		11	83512-BA1-R300	EMBLEM, SIDE COVER	2	Y		20061127	KMYBA1BLS7C300261	
		12	8360A-BA1-R300-AB	SIDE COVER ASS'Y, LH.(A/BEIGE)	1	Y		20061127	KMYBA1BLS7C300261	
			8360A-BA1-R300-LS	SIDE COVER ASS'Y, LH.(L/SILVER)	1	Y		20061127	KMYBA1BLS7C300261	
			8360A-BA1-R300-PB	SIDE COVER ASS'Y, LH.(P/BLACK)	1	Y		20061127	KMYBA1BLS7C300261	
		13	83600-BA1-0000-AB	COVER, LH.SIDE(A/BEIGE)	1	N		20061127	KMYBA1BLS7C300261	
			83600-BA1-0000-LS	COVER, LH.SIDE(L/SILVER)	1	N		20061127	KMYBA1BLS7C300261	
	83600-BA1-0000-PB	COVER, LH.SIDE(P/BLACK)	1	N		20061127	KMYBA1BLS7C300261			
14	83601-BA6-0000	GROMMET A, SIDE COVER	5	Y		20061127	KMYBA1BLS7C300261			

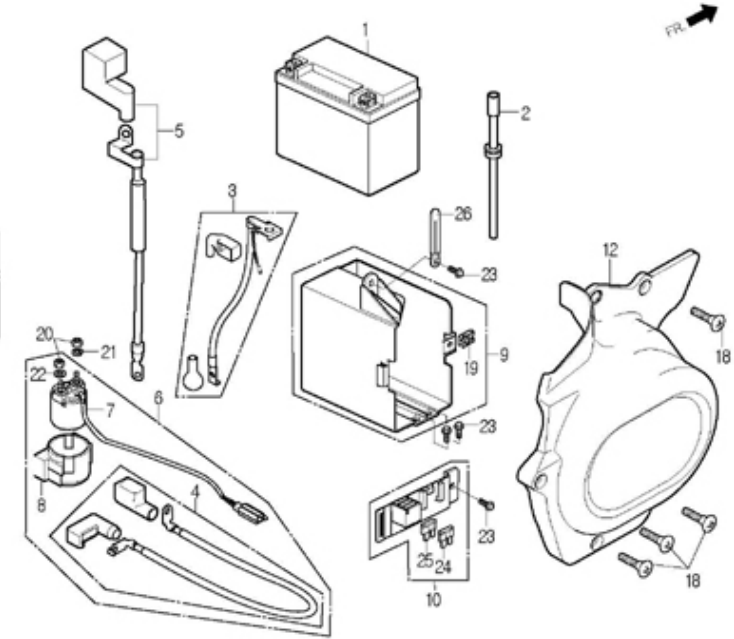
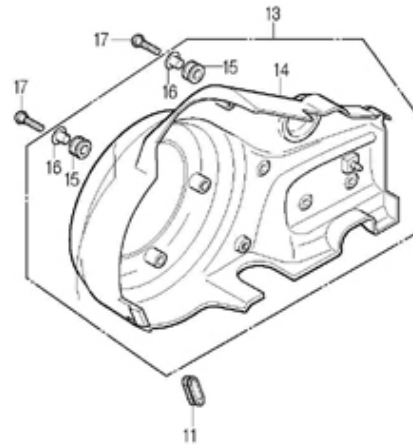
F-15
SIDE COVER



Service item	FRT	Ref. No.	Part No.	Description	QTY	A/S	Exch	Start Date	Start FRM.No	End FRM.No
		15	87565-BA1-R300	CONTROL LABEL, ANTI TAMPERING	1	Y		20061127	KMYBA1BLS7C300261	
		16	89016-BA6-0000	O-RING	1	Y		20061127	KMYBA1BLS7C300261	
		17	90001-BA5-0000	COLLAR, SIDE MOUNT	3	Y		20061127	KMYBA1BLS7C300261	
		18	90107-BA5-9100	BOLT SPECIAL, 6x22(W)	3	Y		20061127	KMYBA1BLS7C300261	
		19	90512-BA5-0000	WASHER, 6x20	2	Y		20061127	KMYBA1BLS7C300261	
		20	S5701-08016-08	BOLT, FLANGE 8x16	2	Y		20061127	KMYBA1BLS7C300261	

F-16

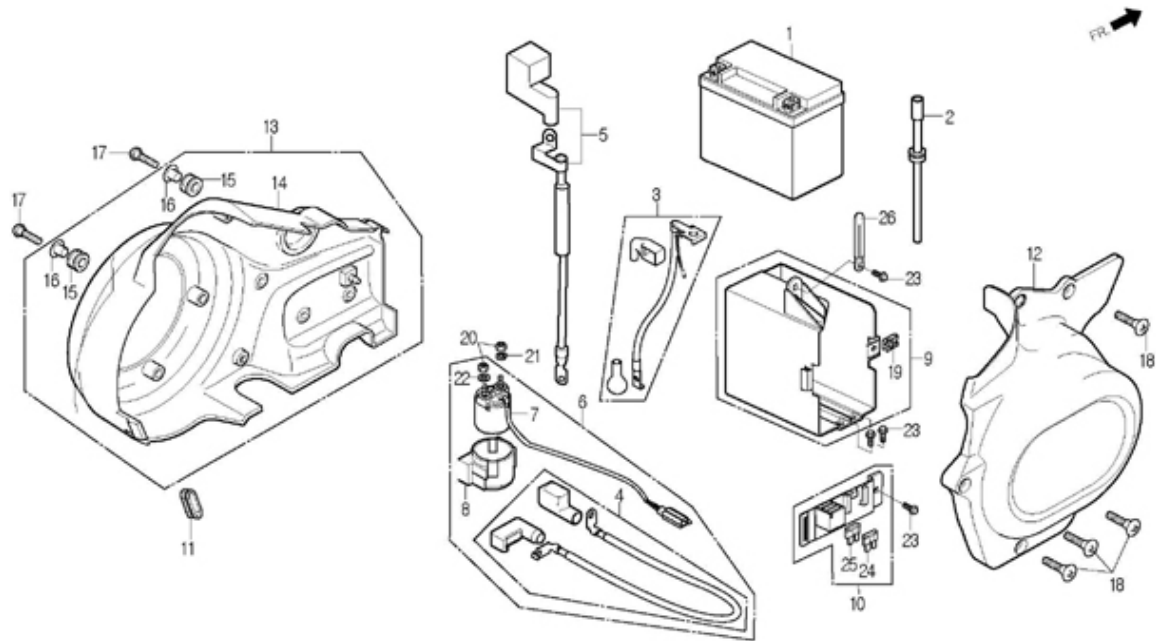
BATTERY / LOWER COVER



Service item	FRT	Ref. No.	Part No.	Description	QTY	A/S	Exch	Start Date	Start FRM.No	End FRM.No
BATTERY ASS'Y, 12V 9AH .CABLE, BATTERY	0.2	1	31500-BA4-0000-M1	BATTERY, 12V 10AH(MF)	1	Y		20061127	KMYBA1BLS7C300261	
		2	31502-BA1-0010	TUBE, BATTERY BREATHER	1	Y		20061127	KMYBA1BLS7C300261	
		3	32401-BA1-R300	CABLE, START MAGNETIC BATTERY	1	Y		20061127	KMYBA1BLS7C300261	
CABLE, STARTER MOTOR	0.3	4	32410-BA1-R300	CABLE, START MOTOR	1	Y		20061127	KMYBA1BLS7C300261	
.SWITCH ASS'Y, STARTER MAGNETIC		5	32601-BA1-R300	CABLE, BATTERY EARTH	1	Y		20061127	KMYBA1BLS7C300261	
COVER, LOWER RH.	0.1	6	3585A-BA1-R300	SWITCH SET, START MAGNETIC	1	Y		20061127	KMYBA1BLS7C300261	
COVER, LOWER LH.	0.1	7	35850-BA1-R300	SWITCH ASS'Y, START MAGNETIC	1	Y		20061127	KMYBA1BLS7C300261	
		8	35856-BA6-8300	RUBBER, MAGNETIC SHOCK	1	Y		20061127	KMYBA1BLS7C300261	
		9	50320-BA1-R300	BOX ASS'Y, BATTERY	1	Y		20061127	KMYBA1BLS7C300261	
		10	5032A-BA1-R300	BAND ASS'Y, BATTERY	1	Y		20061127	KMYBA1BLS7C300261	
		11	83601-BA6-0000	GROMMET A, SIDE COVER	1	Y		20061127	KMYBA1BLS7C300261	
		12	83700-BA1-0000	COVER, RH.LOWER	1	Y		20061127	KMYBA1BLS7C300261	
		13	8380A-BA1-0010	COVER ASS'Y, LH.LOWER	1	Y		20061127	KMYBA1BLS7C300261	
		14	83800-BA1-0000	COVER, LH.LOWER	1	N		20061127	KMYBA1BLS7C300261	
		15	84301-BA1-0000	RUBBER, FR.METER COVER SETTING	2	Y		20061127	KMYBA1BLS7C300261	
		16	84302-BA1-0000	COLLAR, FR.METER COVER SETTING	2	Y		20061127	KMYBA1BLS7C300261	
		17	90115-BA1-0000	SCREW, SPECIAL 5x18	2	Y		20061127	KMYBA1BLS7C300261	
		18	90150-BA1-0000	SCREW, SPECIAL 5x18	4	Y		20061127	KMYBA1BLS7C300261	
		19	90305-SE5-1000	NUT, CLIP 6mm	1	Y		20061127	KMYBA1BLS7C300261	
		20	S4002-06080-0S	NUT, HEX 6mm(Y)	2	Y		20061127	KMYBA1BLS7C300261	
		21	S4101-06800	WASHER, PLAIN 6mm	1	Y		20061127	KMYBA1BLS7C300261	

F-16

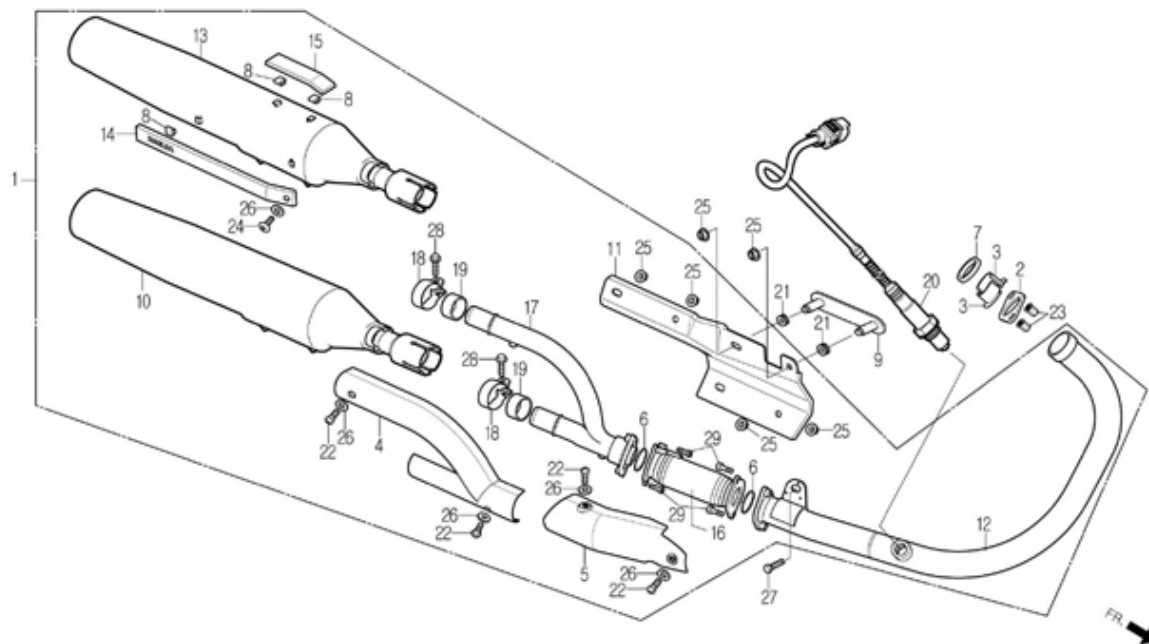
BATTERY / LOWER COVER



Service item	FRT	Ref. No.	Part No.	Description	QTY	A/S	Exch	Start Date	Start FRM.No	End FRM.No
		22	S4111-06800	WASHER, SPRING 6mm	1	Y		20061127	KMYBA1BLS7C300261	
		23	S5701-06012-08	BOLT, FLANGE 6x12	4	Y		20061127	KMYBA1BLS7C300261	
		24	S8200-31500	BLADE FUSE 15A	1	Y		20061127	KMYBA1BLS7C300261	
		25	S8200-33000	BLADE FUSE 30A	1	Y		20061127	KMYBA1BLS7C300261	
		26	91410-BA6-0000	CLIP, 2x60	1	Y		20061127	KMYBA1BLS7C300261	

F-17

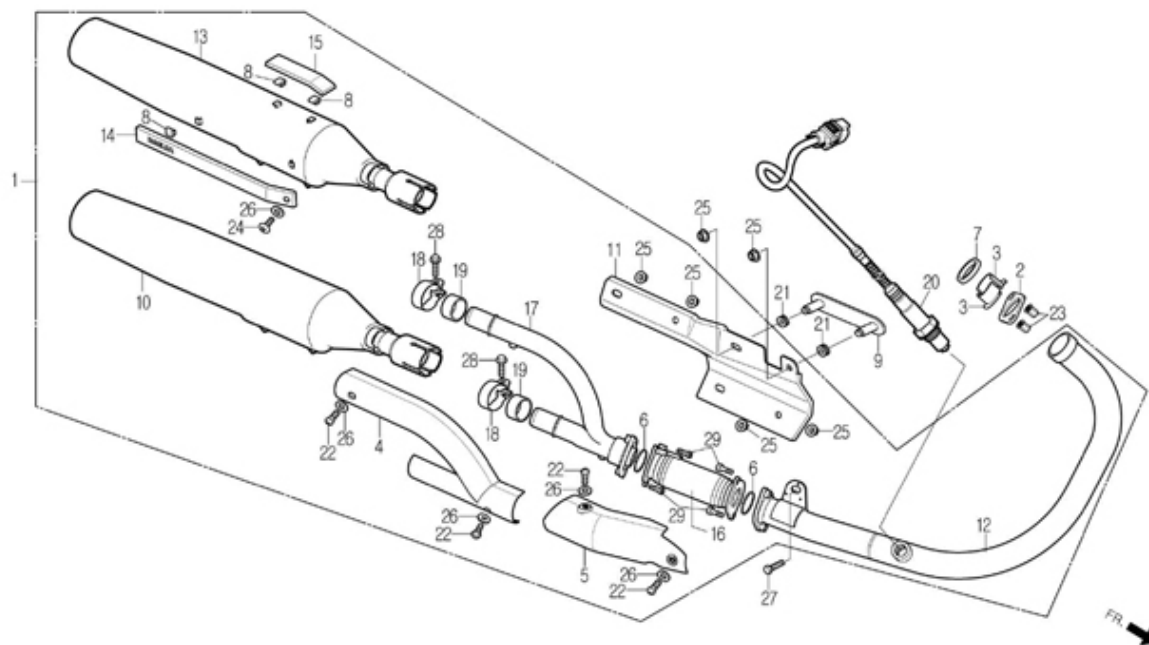
EXHAUST MUFFLER



Service item	FRT	Ref. No.	Part No.	Description	QTY	A/S	Exch	Start Date	Start FRM.No	End FRM.No
MUFFLER ASS'Y, EXHAUST	0.2	1	18200-BA1-R300	MUFFLER ASS'Y, EXHAUST	1	Y		20061127	KMYBA1BLS7C300261	
PIPE COMP., EXHAUST	0.1	2	18231-BA7-9000	JOINT, EXHAUST PIPE	1	Y		20061127	KMYBA1BLS7C300261	
MUFFLER COMP., UPPER (ADD 0.1 FOR EACH)		3	18233-BA6-0000	COLLAR, EXHAUST PIPE JOINT	2	Y		20061127	KMYBA1BLS7C300261	
		4	18240-BA1-R300	PROTECTOR, EXHAUST PIPE	1	Y		20061127	KMYBA1BLS7C300261	
		5	18260-BA1-R300	PROTECTOR A, EXHAUST PIPE	1	Y		20061127	KMYBA1BLS7C300261	
		6	18291-BA1-R300	GASKET, EXHAUST PIPE	2	N	Y	20061127	KMYBA1BLS7C300261	KMYBA1BLS8C302498
			18291-BA1-RB00	GASKET, EXHAUST PIPE	2	Y		20070701	KMYBA1BLS8C302499	
		7	18291-BA6-0000	GASKET, EXHAUST PIPE	1	N	Y	20061127	KMYBA1BLS7C300261	KMYBA1BLS8C302498
			18291-BA6-RB00	GASKET, EXHAUST PIPE	1	Y		20070701	KMYBA1BLS8C302499	
		8	18293-BA5-0000	RUBBER, PROTECTOR PACKING	3	Y		20061127	KMYBA1BLS7C300261	
		9	18302-BA1-0000	COLLAR COMP., MUFFLER	1	Y		20061127	KMYBA1BLS7C300261	
		10	18310-BA1-RB00	MUFFLER COMP., LOWER	1	Y		20061127	KMYBA1BLS7C300261	
		11	18315-BA1-0000	STAY, MUFFLER UPPER	1	Y		20061127	KMYBA1BLS7C300261	
		12	18320-BA1-R300	PIPE COMP., EXHAUST	1	N	Y	20061127	KMYBA1BLS7C300261	KMYBA1BLS9C304603
			18320-BA1-R310	PIPE COMP., EXHAUST	1	Y		20081104	KMYBA1BLS9C304604	
		13	18330-BA1-RB00	MUFFLER COMP, UPPER	1	Y		20061127	KMYBA1BLS7C300261	
		14	18340-BA1-RB00	PROTECTOR, MUFFLER SIDE	1	Y		20061127	KMYBA1BLS7C300261	
		15	18350-BA1-RB00	PROTECTOR, MUFFLER TOP	1	Y		20061127	KMYBA1BLS7C300261	
		16	18360-BA1-R300	PIPE COMP.B, EXHAUST	1	Y		20061127	KMYBA1BLS7C300261	
		17	18370-BA1-R300	PIPE COMP.C, EXHAUST	1	Y		20061127	KMYBA1BLS7C300261	
		18	18371-BA5-9000	BAND, MUFFLER	2	Y		20061127	KMYBA1BLS7C300261	

F-17

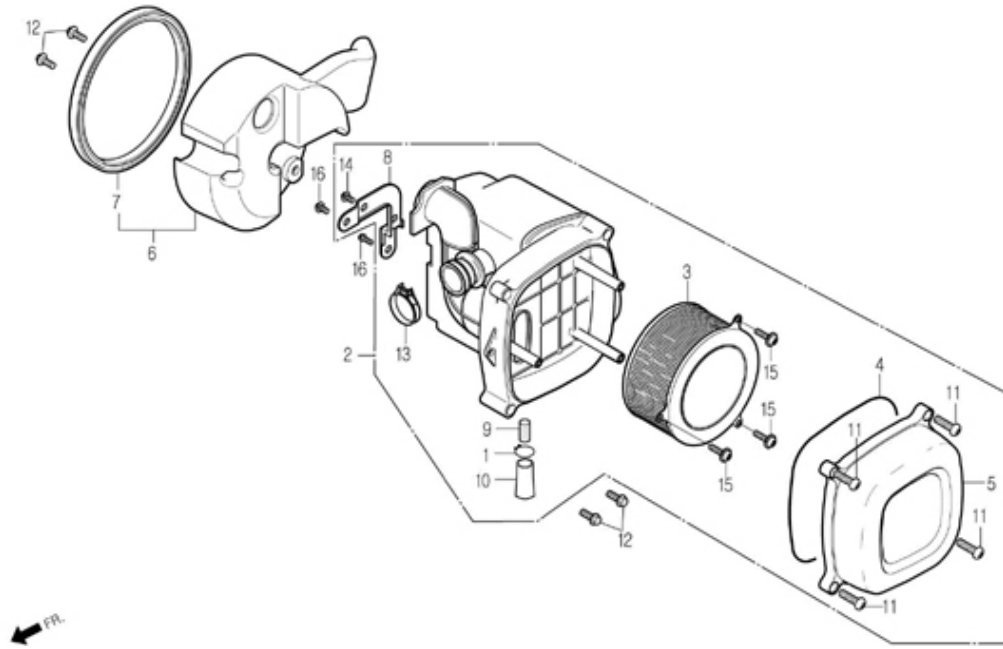
EXHAUST MUFFLER



Service item	FRT	Ref. No.	Part No.	Description	QTY	A/S	Exch	Start Date	Start FRM.No	End FRM.No
		19	18391-BA6-0000	PACKING, MUFFLER	2	Y		20061127	KMYBA1BLS7C300261	
		20	18410-BA1-R300-M1	SENSOR, OXYGEN	1	Y		20061127	KMYBA1BLS7C300261	
		21	50608-BA5-9000	RUBBER, MUFFLER MOUNTING	2	Y		20061127	KMYBA1BLS7C300261	
		22	90011-SE1-0000	SCREW, SPECIAL 5x8	4	Y		20061127	KMYBA1BLS7C300261	
		23	90304-BA7-0000	NUT, HEX CAP 6mm	2	Y		20061127	KMYBA1BLS7C300261	
		24	S3500-05008-0A	SCREW, PAN 5x8	1	Y		20061127	KMYBA1BLS7C300261	
		25	S4050-08080	NUT, FLANGE 8mm	6	Y		20061127	KMYBA1BLS7C300261	
		26	S4101-05000	WASHER, PLAIN 5mm	5	Y		20061127	KMYBA1BLS7C300261	
		27	S5701-08016-08	BOLT, FLANGE 8x16	1	Y		20061127	KMYBA1BLS7C300261	
		28	S5701-08030-08	BOLT, FLANGE 8x30	2	Y		20061127	KMYBA1BLS7C300261	
		29	S6001-06016-00	BOLT, FLANGE SH 6x16	4	Y		20061127	KMYBA1BLS7C300261	

F-18

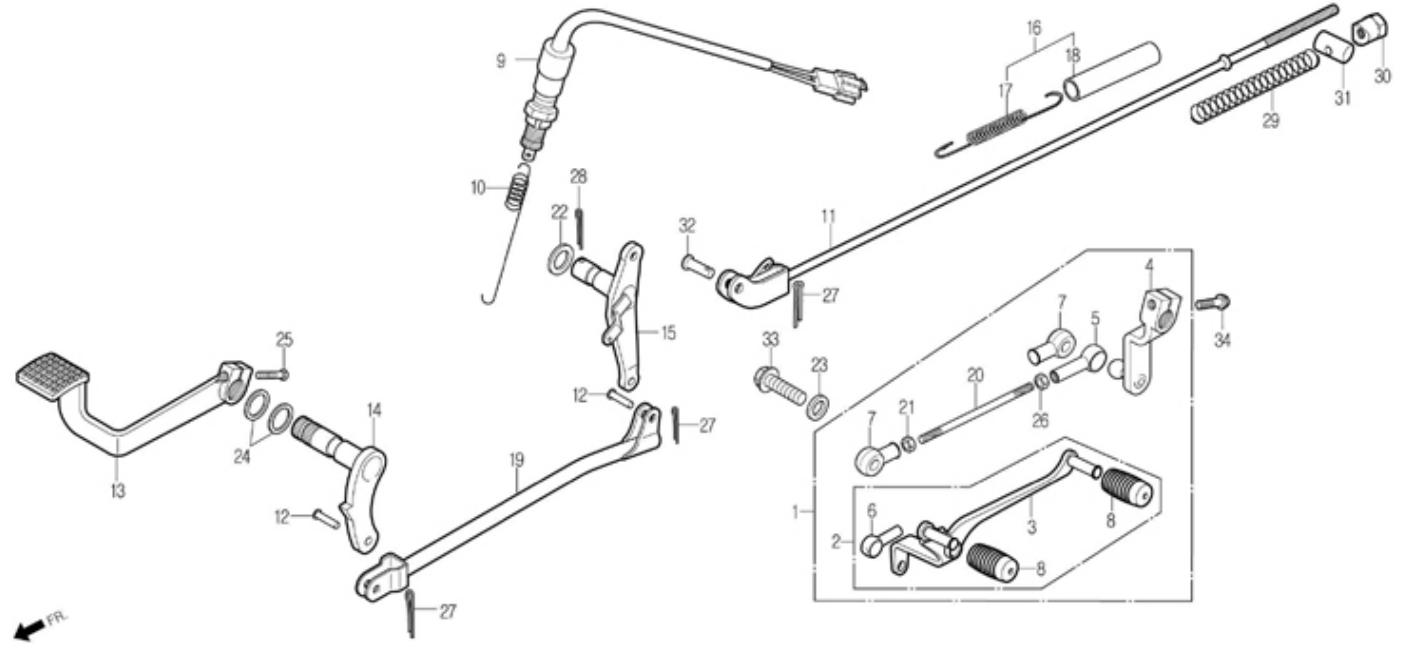
AIR CLEANER



Service item	FRT	Ref. No.	Part No.	Description	QTY	A/S	Exch	Start Date	Start FRM.No	End FRM.No
ELEMENT, AIR CLEANER	0.1	1	15772-BA7-0100	CLIP, BREATHER TUBE	1	N		20061127	KMYBA1BLS7C300261	
COVER, AIR CLEANER CASE		2	17200-BA1-R300	AIR CLEANER ASS'Y	1	Y		20061127	KMYBA1BLS7C300261	
COVER, AIR CLEANER INLET		3	17213-BA1-0000	ELEMENT, AIR CLEANER	1	Y		20061127	KMYBA1BLS7C300261	
		4	17219-BA1-0000	SEAL, AIR CLEANER COVER	1	Y		20061127	KMYBA1BLS7C300261	
		5	17220-BA1-0000	COVER COMP., AIR CLEANER	1	Y		20061127	KMYBA1BLS7C300261	
AIR CLEANER ASS'Y	0.3	6	1725A-BA1-0100	COVER ASS'Y, AIR CLEANER INLET	1	Y		20061127	KMYBA1BLS7C300261	
CASE COMP., AIR CLEANER	0.4	7	17251-BA1-0100	RUBBER, SEAL	1	Y		20061127	KMYBA1BLS7C300261	
		8	17260-BA1-0000	STAY, AIR CLEANER	1	Y		20061127	KMYBA1BLS7C300261	
		9	17337-BA7-3000	FILTER	1	Y		20061127	KMYBA1BLS7C300261	
		10	17358-BA7-0000	TUBE, DRAIN	1	N		20061127	KMYBA1BLS7C300261	
		11	90001-BA1-0000	SCREW, TORUS 6x20	4	N		20061127	KMYBA1BLS7C300261	
		12	90111-SE5-1000	BOLT, FLANGE 6mm	4	Y		20061127	KMYBA1BLS7C300261	
		13	17256-BA1-R300	BAND 50, AIR CLEANER CONNECTING TUBE	1	Y		20061127	KMYBA1BLS7C300261	
		14	S3892-06012-00	SCREW, WASHER 6x12	1	N		20061127	KMYBA1BLS7C300261	
		15	S3893-05016-08	SCREW, WASH 5x16	3	N		20061127	KMYBA1BLS7C300261	
		16	S5701-06010-08	BOLT, FLANGE 6x10	2	Y		20061127	KMYBA1BLS7C300261	

F-19

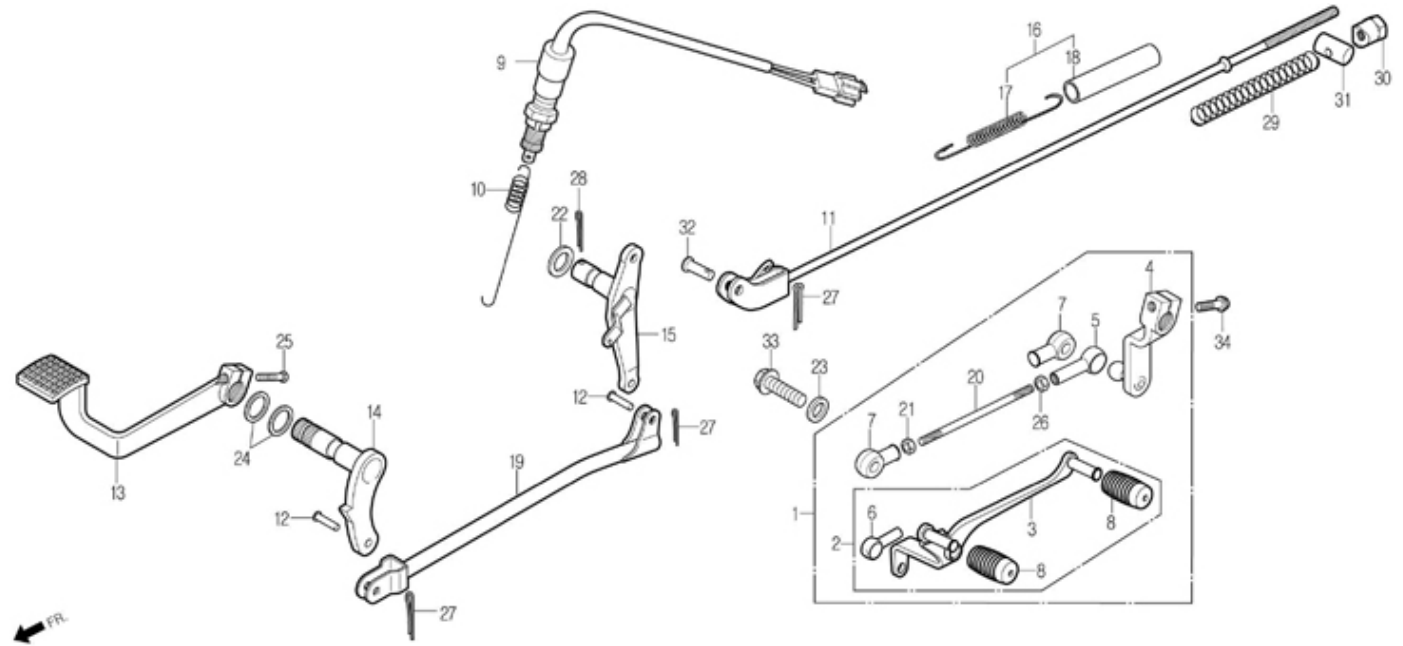
BRAKE / CHANGE PEDAL / KICK STARTER ARM



Service item	FRT	Ref. No.	Part No.	Description	QTY	A/S	Exch	Start Date	Start FRM.No	End FRM.No
PEDAL, GEAR CHANGE	0.1	1	24700-BA1-RB00	PEDAL ASS'Y, GEAR CHANGE	1	Y		20061127	KMYBA1BLS7C300261	
PEDAL COMP., RR.BRAKE	0.3	2	24700-BA1-0100	PEDAL COMP., GEAR CHANGE	1	Y		20061127	KMYBA1BLS7C300261	
ARM ASS'Y, KICK STARTER	0.4	3	24701-BA1-0100	PEDAL, GEAR CHANGE	1	N		20061127	KMYBA1BLS7C300261	
SWITCH ASS'Y, RR.STOP		4	24711-BA5-9000-H1	ARM, GEAR CHANGE	1	N		20061127	KMYBA1BLS7C300261	
ROD COMP., RR.BRAKE		5	24721-BA5-3000	TIE ROD, A	1	N		20061127	KMYBA1BLS7C300261	
ARM, RR.BRAKE		6	24722-BA5-3000	TIE ROD, B	1	N		20061127	KMYBA1BLS7C300261	
		7	24724-BA6-0000	COVER, DUST	2	N		20061127	KMYBA1BLS7C300261	
		8	24781-BA7-0000	RUBBER, CHANGE PEDAL	2	Y		20061127	KMYBA1BLS7C300261	
		9	35350-BA5-9100-M1	SWITCH ASS'Y, RR.STOP	1	Y		20061127	KMYBA1BLS7C300261	
		10	35357-BA7-9000	SPRING, STOP SWITCH	1	Y		20061127	KMYBA1BLS7C300261	
		11	43451-BA1-0000	ROD COMP., RR.BRAKE	1	Y		20061127	KMYBA1BLS7C300261	
		12	43456-BA5-0000	PIN, MIDDLE ROD JOINT	2	Y		20061127	KMYBA1BLS7C300261	
		13	46500-BA1-0010	PEDAL COMP., RR.BRAKE	1	Y		20061127	KMYBA1BLS7C300261	
		14	46511-BA5-9000	ARM A, RR.BRAKE	1	Y		20061127	KMYBA1BLS7C300261	
		15	46512-BA1-0000	ARM B, RR.BRAKE	1	Y		20061127	KMYBA1BLS7C300261	
		16	46513-BA7-9000	SPRING SET, BRAKE PEDAL	1	Y		20061127	KMYBA1BLS7C300261	
		17	46514-BA7-9000	SPRING, RR.BRAKE RETURN	1	N		20061127	KMYBA1BLS7C300261	
		18	46519-BA6-8300	TUBE, SPRING	1	N		20061127	KMYBA1BLS7C300261	
		19	46540-BA1-0000	ROD, RR.BRAKE MIDDLE	1	Y		20061127	KMYBA1BLS7C300261	
		20	90065-BA5-9000	BOLT, TIE LOD	1	N		20061127	KMYBA1BLS7C300261	
		21	90201-BA5-0000	NUT, GOVERNOR ARM FIXING	1	N		20061127	KMYBA1BLS7C300261	

F-19

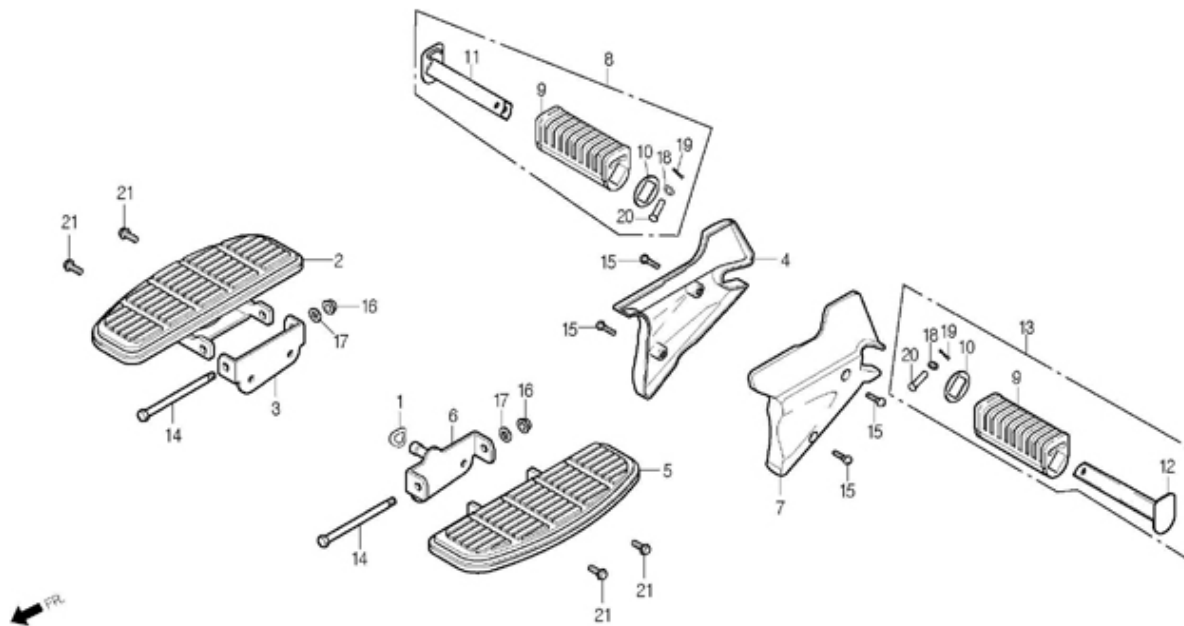
BRAKE / CHANGE PEDAL / KICK STARTER ARM



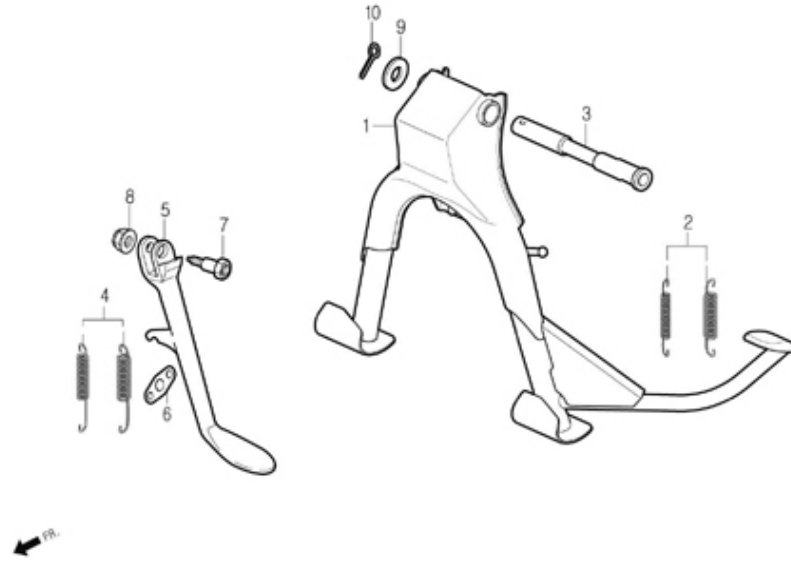
Service item	FRT	Ref. No.	Part No.	Description	QTY	A/S	Exch	Start Date	Start FRM.No	End FRM.No
		22	90432-BA6-0000	WASHER, 18mm	1	Y		20061127	KMYBA1BLS7C300261	
		23	90436-BA5-0000	WASHER, SPECIAL	1	Y		20061127	KMYBA1BLS7C300261	
		24	90590-BA7-0000	WASHER, 18.5mm	2	Y		20061127	KMYBA1BLS7C300261	
		25	S2101-08025-0H	BOLT, HEX 8x25	1	Y		20061127	KMYBA1BLS7C300261	
		26	S4002-06020-0S	NUT, HEX 6mm	1	N		20061127	KMYBA1BLS7C300261	
		27	S4201-20120	PIN, SPLIT 2.0x12	3	Y		20061127	KMYBA1BLS7C300261	
		28	S4201-30300	PIN, SPLIT 3.0x30	1	Y		20061127	KMYBA1BLS7C300261	
		29	S5014-CB3-0000	SPRING A, BRAKE ROD	1	Y		20061127	KMYBA1BLS7C300261	
		30	S5015-BA6-9600-M1	NUT B, ADJUST(W)	1	Y		20061127	KMYBA1BLS7C300261	
		31	S5015-32001	JOINT B, BRAKE ARM(W)	1	Y		20061127	KMYBA1BLS7C300261	
		32	S5015-53000	PIN C, JOINT	1	Y		20061127	KMYBA1BLS7C300261	
		33	S5701-06018-08	BOLT, FLANGE 6x18	1	Y		20061127	KMYBA1BLS7C300261	
		34	S5701-06020-08	BOLT, FLANGE 6x20	1	Y		20061127	KMYBA1BLS7C300261	

F-20

STEP



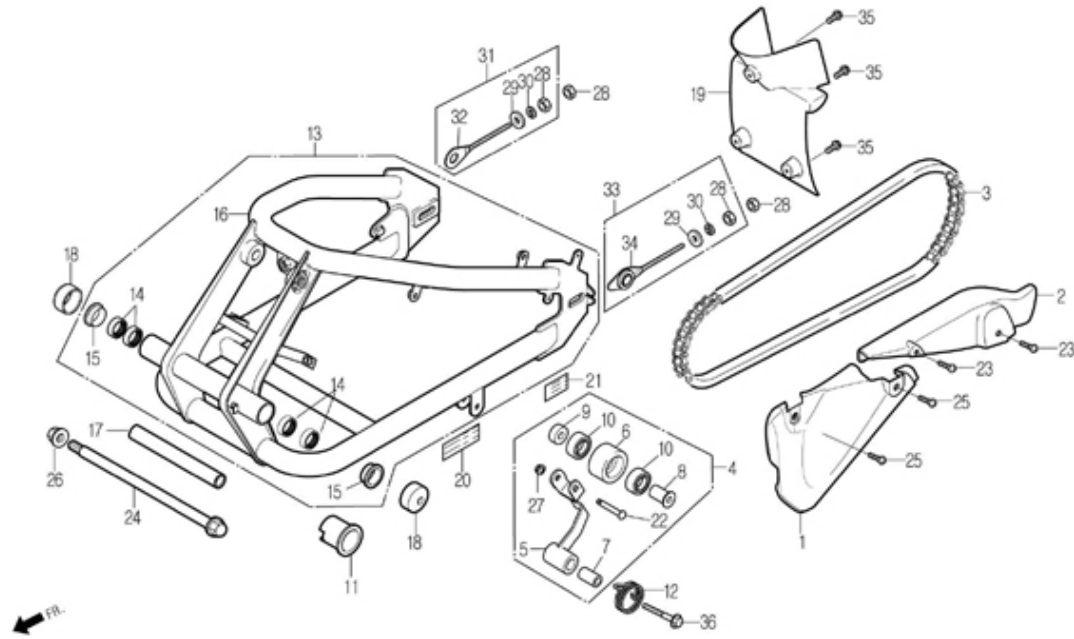
Service item	FRT	Ref. No.	Part No.	Description	QTY	A/S	Exch	Start Date	Start FRM.No	End FRM.No
PLATE ASS'Y, MAIN STEP RH. PLATE ASS'Y, MAIN STEP LH. RUBBER, PILLION STEP (INCLUDE RELATIVE PARTS)	0.1	1	16187-CB3-0000	SPRING, WAVE WASHER	1	Y		20061127	KMYBA1BLS7C300261	
		2	50610-BA1-0000	PLATE ASS'Y, RH.MAIN STEP	1	Y		20061127	KMYBA1BLS7C300261	
		3	50614-BA1-0000	HINGE, RH.MAIN STEP	1	Y		20061127	KMYBA1BLS7C300261	
		4	50615-BA1-0010	COVER, RH.RR.STEP(BLACK)	1	Y		20061127	KMYBA1BLS7C300261	
		5	50650-BA1-0000	PLATE ASS'Y, LH.MAIN STEP	1	Y		20061127	KMYBA1BLS7C300261	
		6	50654-BA1-0000	HINGE, LH.MAIN STEP	1	Y		20061127	KMYBA1BLS7C300261	
		7	50655-BA1-0010	COVER, LH.RR.STEP(BLACK)	1	Y		20061127	KMYBA1BLS7C300261	
		8	5071A-BA7-9010	BAR ASS'Y, RH.PILLION STEP	1	Y		20061127	KMYBA1BLS7C300261	
		9	50710-BA7-7700	RUBBER, PLLION STEP	2	Y		20061127	KMYBA1BLS7C300261	
		10	50712-BA7-0000	WASHER, PILLION STEP	2	N		20061127	KMYBA1BLS7C300261	
		11	50715-BA7-9000	BAR, RH.PILLION STEP	1	N		20061127	KMYBA1BLS7C300261	
		12	50718-BA7-9000	BAR, LH.PILLION STEP	1	N		20061127	KMYBA1BLS7C300261	
		13	5072A-BA7-9010	BAR ASS'Y, LH.PILLION STEP	1	Y		20061127	KMYBA1BLS7C300261	
		14	90102-BA1-0000	BOLT, MAIN STEP HINGE	2	Y		20061127	KMYBA1BLS7C300261	
		15	90115-BA1-0000	SCREW, SPECIAL 5x18	4	Y		20061127	KMYBA1BLS7C300261	
		16	90208-BA7-0000	NUT, FLANGE CAP 8mm	2	Y		20061127	KMYBA1BLS7C300261	
		17	90505-BA6-0000	WASHER, 8mm	2	Y		20061127	KMYBA1BLS7C300261	
		18	S4101-06000	WASHER, PLAIN 6mm	2	N		20061127	KMYBA1BLS7C300261	
		19	S4201-16150	PIN, SPLIT 1.6x15	2	N		20061127	KMYBA1BLS7C300261	
		20	S5015-81000	PIN A, PILLION STEP	2	N		20061127	KMYBA1BLS7C300261	
		21	S5701-08016-08	BOLT, FLANGE 8x16	4	Y		20061127	KMYBA1BLS7C300261	

F-21**STAND**

Service item	FRT	Ref. No.	Part No.	Description	QTY	A/S	Exch	Start Date	Start FRM.No	End FRM.No
STAND COMP., MAIN	0.5	1	50500-BA1-0010	STAND COMP., MAIN	1	Y		20061127	KMYBA1BLS7C300261	
SPRING, MAIN STAND	0.2	2	5051A-BA7-0000-EU	SPRING SET, MAIN STAND	1	Y		20061127	KMYBA1BLS7C300261	
.STAND COMP., SIDE		3	50526-BA6-9600	SHAFT, MAIN STAND PIVOT	1	Y		20061127	KMYBA1BLS7C300261	
		4	5053A-BA5-RB00	SPRING SET, SIDE STAND	1	Y		20061127	KMYBA1BLS7C300261	
SPRING, SIDE STAND	0.1	5	50530-BA5-9020	BAR, SIDE STAND(BLACK)	1	Y		20061127	KMYBA1BLS7C300261	
		6	50531-BA5-RB00	LEVER, SIDE STAND SPRING	1	Y		20061127	KMYBA1BLS7C300261	
		7	90109-BA5-RB00	BOLT, SIDE STAND SPECIAL	1	Y		20061127	KMYBA1BLS7C300261	
		8	90304-SE6-0000	NUT, U 10mm	1	Y		20061127	KMYBA1BLS7C300261	
		9	90521-CB2-0000	WASHER, 17x22	1	Y		20061127	KMYBA1BLS7C300261	
		10	S4201-30250	PIN, SPLIT 3.0x25	1	Y		20061127	KMYBA1BLS7C300261	

F-22

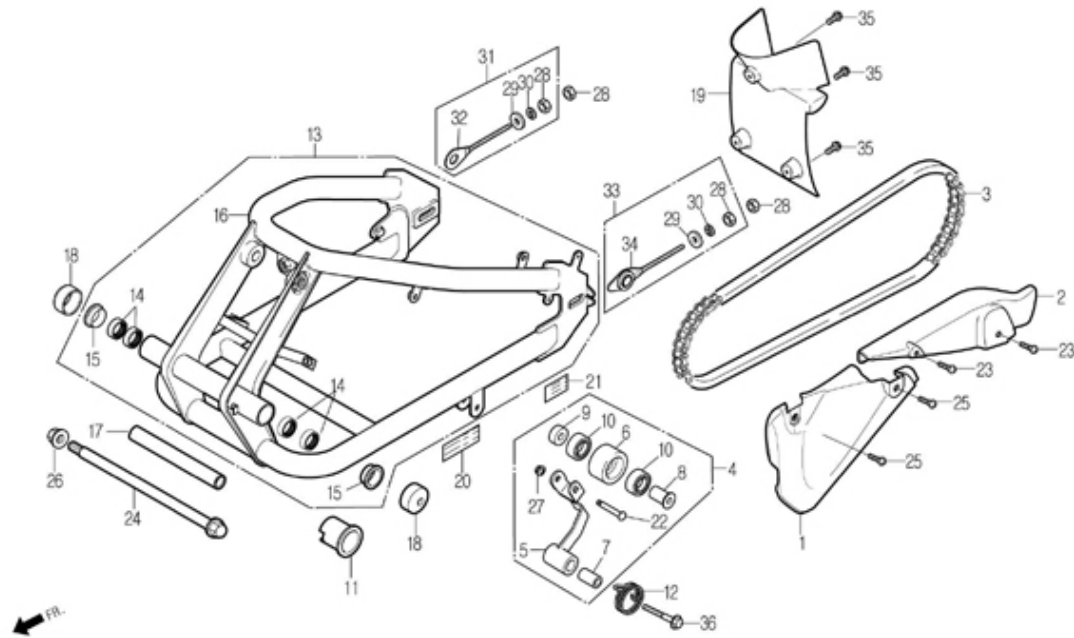
SWING ARM / CHAIN CASE



Service item	FRT	Ref. No.	Part No.	Description	QTY	A/S	Exch	Start Date	Start FRM.No	End FRM.No
CHAIN ASS'Y, O-RING	0.7	1	40510-BA1-0010	CASE, CHAIN A(BLACK)	1	Y		20061127	KMYBA1BLS7C300261	
		2	40520-BA1-0010	CASE, CHAIN B(BLACK)	1	Y		20061127	KMYBA1BLS7C300261	
CASE, CHAIN	0.1	3	40530-BA1-R300-M2	CHAIN, O-RING	1	Y		20061127	KMYBA1BLS7C300261	
		4	40540-BA1-0010	TENSIONER ASS'Y, CHAIN	1	Y		20061127	KMYBA1BLS7C300261	
ARM ASS'Y, RR.SWING	0.8	5	40541-BA1-0010	BRACKET, CHAIN TENSIONER	1	N		20061127	KMYBA1BLS7C300261	
BUSH, RR.FORK (SAME TIME AT TWO PARTS)	0.9	6	40542-BA1-0010	ROLLER, CHAIN TENSIONER	1	Y		20061127	KMYBA1BLS7C300261	
		7	40543-BA1-0000	COLLER A, TENSIONER DISTANCE	1	Y		20061127	KMYBA1BLS7C300261	
		8	40544-BA1-0010	COLLER B, TENSIONER DISTANCE	1	N		20061127	KMYBA1BLS7C300261	
CENTER COLLAR, PIVOT DISTANCE .SLIDE, CHAIN	0.6	9	40545-BA1-0010	COLLAR C, CHAIN TENSIONER	1	N		20061127	KMYBA1BLS7C300261	
		10	40546-BA1-0010	BEARING, RADIAL BALL 6001Z	2	Y		20061127	KMYBA1BLS7C300261	
ROLLER, CHAIN TENSIONER (INCLUDE RELATIVE PARTS)	0.1	11	40591-BA1-0000	SLIDER, CHAIN	1	Y		20061127	KMYBA1BLS7C300261	
		12	46518-BA1-0000	SPRING, CHAIN TENSIONER RETURN	1	Y		20061127	KMYBA1BLS7C300261	
FENDER, RR.SUB	0.3	13	52100-BA1-RB00	ARM ASS'Y, RR.SWING	1	Y		20061127	KMYBA1BLS7C300261	
		14	52107-BA5-RB00	BEARING, RR.FORK PIVOT	4	N		20061127	KMYBA1BLS7C300261	
		15	52108-BA5-RB00	BUSH, RR.FORK	2	N		20061127	KMYBA1BLS7C300261	
		16	52110-BA1-RB00	SWING ARM COMP., RR.	1	N		20061127	KMYBA1BLS7C300261	
		17	52141-BA5-9000	COLLAR, PIVOT DISTANCE CENTER	1	Y		20061127	KMYBA1BLS7C300261	
		18	52144-BA6-0050	CAP, RR.FORK DUST SEAL	2	Y		20061127	KMYBA1BLS7C300261	
		19	80110-BA1-0000	FENDER, RR.SUB	1	Y		20061127	KMYBA1BLS7C300261	
		20	87505-BA1-MA00	LABEL, TIRE	1	Y		20061127	KMYBA1BLS7C300261	
			87505-BA1-RB00	LABEL, TIRE	1	Y		20061127	KMYBA1BLS7C300261	

F-22

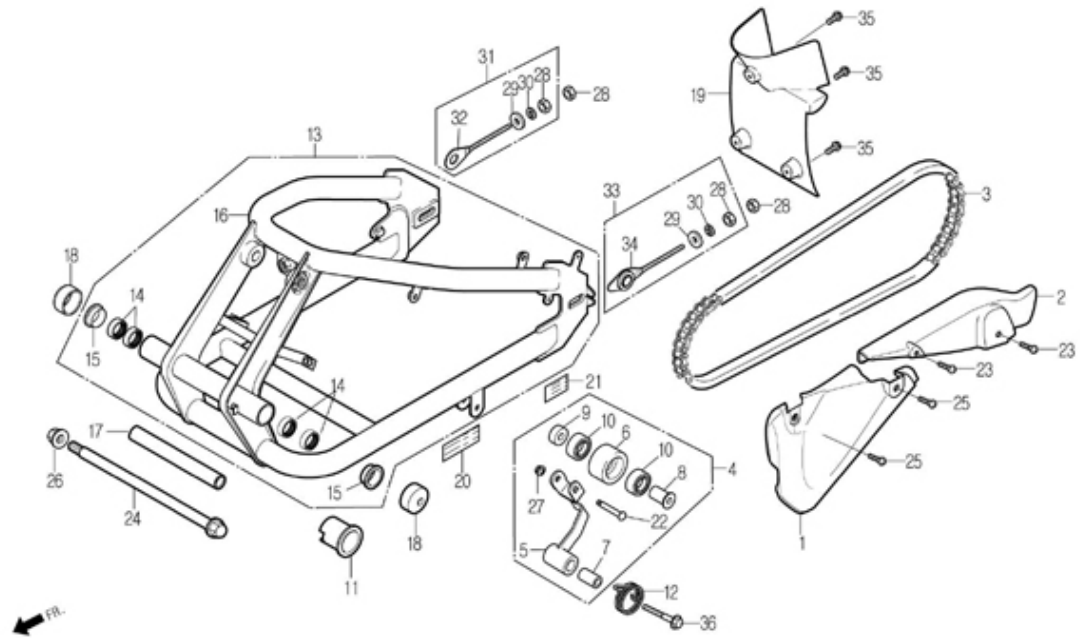
SWING ARM / CHAIN CASE



Service item	FRT	Ref. No.	Part No.	Description	QTY	A/S	Exch	Start Date	Start FRM.No	End FRM.No
			87505-BA1-RC00	LABEL, TIRE	1	Y		20061127	KMYBA1BLS7C300261	
			87505-BA1-RE00	LABEL, TIRE(FRENCH)	1	Y		20061127	KMYBA1BLS7C300261	
			87505-BA1-RJ00	LABEL, TIRE	1	Y		20061127	KMYBA1BLS7C300261	
		21	87507-BA1-MA00	LABEL, DRIVE CHAIN	1	Y		20061127	KMYBA1BLS7C300261	
			87507-BA1-RB00	LABEL, DRIVE CHAIN	1	Y		20061127	KMYBA1BLS7C300261	
			87507-BA1-RC00	LABEL, DRIVE CHAIN	1	Y		20061127	KMYBA1BLS7C300261	
			87507-BA1-RE00	LABEL, DRIVE CHAIN(FERNCH)	1	Y		20061127	KMYBA1BLS7C300261	
			87507-BA1-RJ00	LABEL, DRIVE CHAIN	1	Y		20061127	KMYBA1BLS7C300261	
		22	90106-BA1-0000	BOLT, TENSIONER	1	Y		20061127	KMYBA1BLS7C300261	
		23	90115-BA1-0000	SCREW, SPECIAL 5x18	2	Y		20061127	KMYBA1BLS7C300261	
		24	90121-BA5-9000	BOLT, SWING ARM PIVOT	1	Y		20061127	KMYBA1BLS7C300261	
		25	90150-BA1-0000	SCREW, PAN 5x15	2	Y		20061127	KMYBA1BLS7C300261	
		26	90305-SE5-0000	NUT, U 14mm	1	Y		20061127	KMYBA1BLS7C300261	
		27	90309-SE5-0000	NUT, FLANGE 8mm	1	Y		20061127	KMYBA1BLS7C300261	
		28	S4001-06000-0S	NUT, HEX 6mm	4	Y		20061127	KMYBA1BLS7C300261	
		29	S4101-06000	WASHER, PLAIN 6mm	2	N		20061127	KMYBA1BLS7C300261	
		30	S4111-06000	WASHER, SPRING 6mm	2	N		20061127	KMYBA1BLS7C300261	
		31	S501A-BA1-0000	ADJUSTER C ASS'Y, CHAIN RH.	1	Y		20061127	KMYBA1BLS7C300261	
		32	S5014-BA1-0000	ADJUSTER C, CHAIN RH.	1	Y		20061127	KMYBA1BLS7C300261	
		33	S502A-BA1-0000	ADJUSTER C ASS'Y, CHAIN LH.	1	Y		20061127	KMYBA1BLS7C300261	
		34	S5024-BA1-0000	ADJUSTER C, CHAIN LH.	1	N		20061127	KMYBA1BLS7C300261	
		35	S5701-06012-08	BOLT, FLANGE 6x12	3	Y		20061127	KMYBA1BLS7C300261	

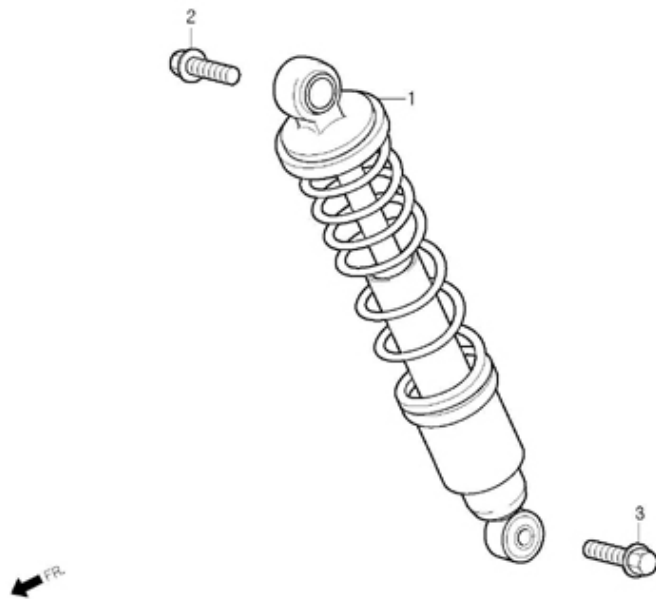
F-22

SWING ARM / CHAIN CASE



Service item	FRT	Ref. No.	Part No.	Description	QTY	A/S	Exch	Start Date	Start FRM.No	End FRM.No
		36	S5701-08042-07	BOLT, FLANGE 8x42	1	Y		20061127	KMYBA1BLS7C300261	

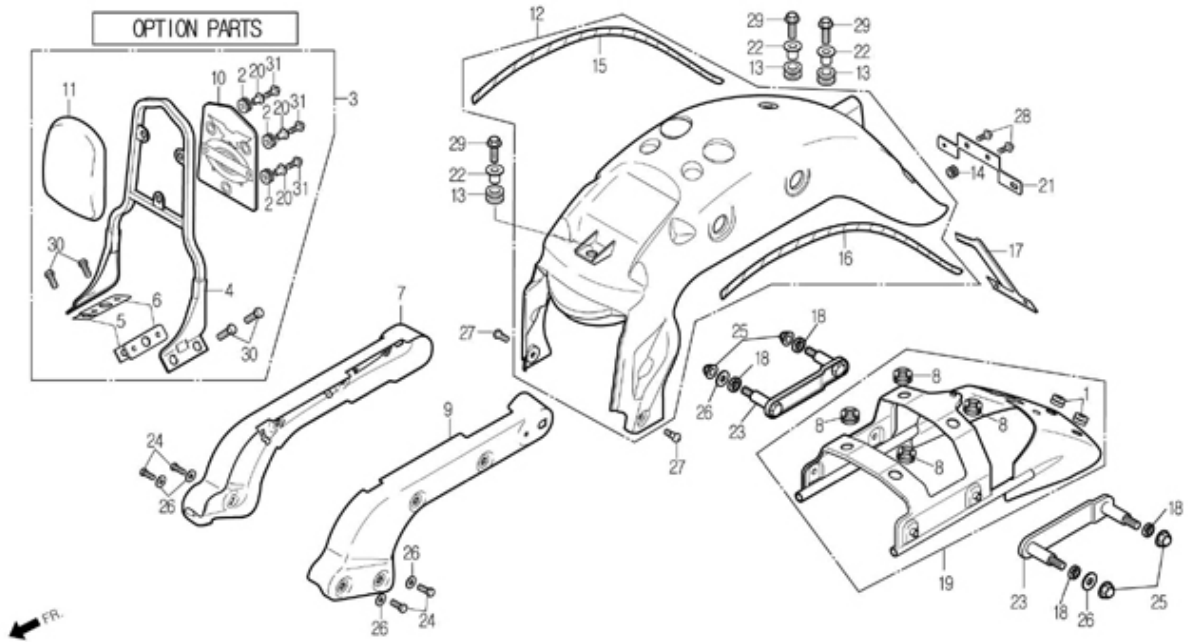
F-23
REAR CUSHION



Service item	FRT	Ref. No.	Part No.	Description	QTY	A/S	Exch	Start Date	Start FRM.No	End FRM.No
CUSHION ASS'Y, RR.	0.2	1	52400-BA1-RB30	CUSHION ASS'Y, RR.(YELLOW)	1	Y		20061127	KMYBA1BLS7C300261	
		2	90103-BA1-0000	BOLT, FLANGE 10x55	1	Y		20061127	KMYBA1BLS7C300261	
		3	90104-BA1-0000	BOLT, FLANGE 10x65	1	Y		20061127	KMYBA1BLS7C300261	

F-24

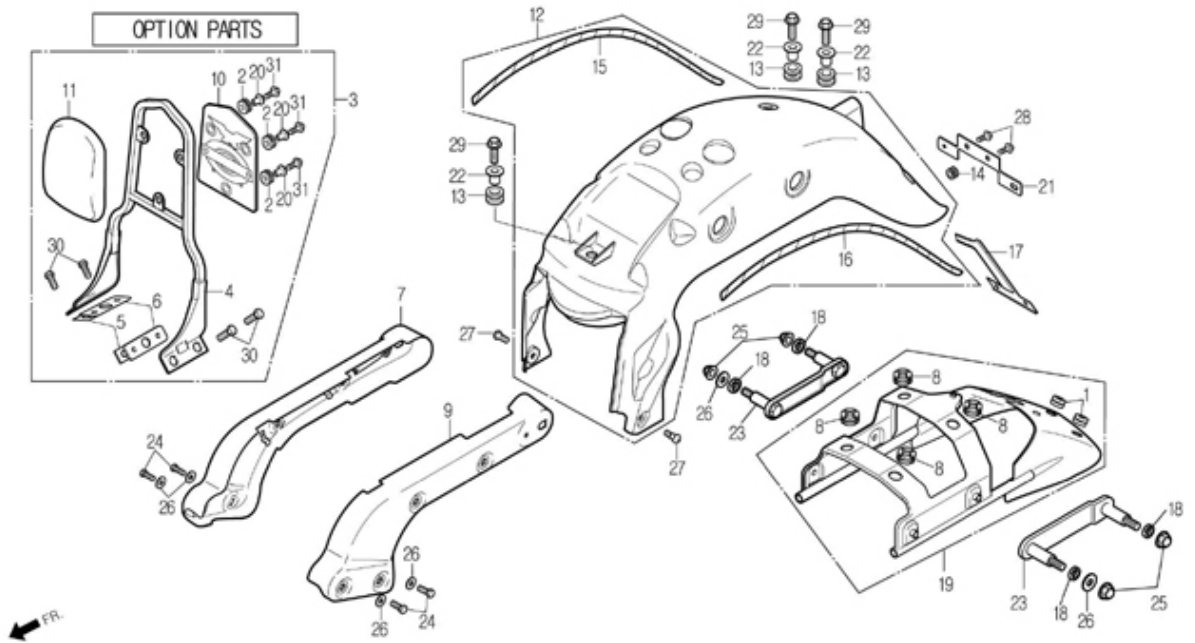
GRAB RAIL / REAR FENDER



Service item	FRT	Ref. No.	Part No.	Description	QTY	A/S	Exch	Start Date	Start FRM.No	End FRM.No
FENDER, RR.	0.2	1	37106-BA6-9610	RUBBER, METER STAY MOUNT	2	Y		20061127	KMYBA1BLS7C300261	
.BRACKET ASS'Y, RR.FENDER		2	61103-BA6-0000	RUBBER, FR.FENDER MOUNT	3	Y		20061127	KMYBA1BLS7C300261	
RAIL COMP., RH.GRAB	0.1	3	7730A-BA5-9000	BACK REST ASS'Y	1	Y		20061127	KMYBA1BLS7C300261	
RAIL COMP., LH.GRAB	0.1	4	77320-BA5-9000	BRACKET, BACK REST	1	N		20061127	KMYBA1BLS7C300261	
		5	77321-BA5-9000	SETTING PLATE, BACK REST MOUNT	2	Y		20061127	KMYBA1BLS7C300261	
		6	77322-BA5-9000	RUBBER, BACK REST MOUNT	4	Y		20061127	KMYBA1BLS7C300261	
		7	77330-BA1-0000	RAIL COMP., RH.GRAB	1	Y		20061127	KMYBA1BLS7C300261	
		8	77331-BA7-9200	RUBBER, GRAB RAIL	4	Y		20061127	KMYBA1BLS7C300261	
		9	77340-BA1-0000	RAIL COMP., LH.GRAB	1	Y		20061127	KMYBA1BLS7C300261	
		10	77350-BA5-9010	EMBLEM, GRAB RAIL	1	Y		20061127	KMYBA1BLS7C300261	
		11	77400-BA5-9000	PAD COMP., BACK REST	1	Y		20061127	KMYBA1BLS7C300261	
		12	8010A-BA1-R300-PB	FENDER ASS'Y, RR.(P/BLACK)	1	Y		20061127	KMYBA1BLS7C300261	
			8010A-BA1-R300-2G	FENDER ASS'Y, RR.(G+BLACK)	1	Y		20061127	KMYBA1BLS7C300261	
			8010A-BA1-R300-2N	FENDER ASS'Y, RR.(O+BEIGE)	1	Y		20061127	KMYBA1BLS7C300261	
			8010A-BA1-R300-2O	FENDER ASS'Y, RR.(R+SILVER)	1	Y		20061127	KMYBA1BLS7C300261	
		13	80101-BA5-0000	RUBBER, RR.FENDER CUSHION	3	Y		20061127	KMYBA1BLS7C300261	
		14	80101-BA1-0000	RUBBER, LICENSE PLATE	1	Y		20061127	KMYBA1BLS7C300261	
		15	80102-BA1-RB10-2O	STRIPE, RH.RR.FENDER(R+SILVER)	1	Y		20061127	KMYBA1BLS7C300261	
			80102-BA1-R300-PB	STRIPE, RH.RR.FENDER(P/BLACK)	1	Y		20061127	KMYBA1BLS7C300261	
			80102-BA1-R300-2G	STRIPE, RH.RR.FENDER(G+BLACK)	1	Y		20061127	KMYBA1BLS7C300261	
			80102-BA1-R300-2N	STRIPE, RH.RR.FENDER(O+BEIGE)	1	Y		20061127	KMYBA1BLS7C300261	
		16	80103-BA1-RB10-2O	STRIPE, LH.RR.FENDER(R+SILVER)	1	Y		20061127	KMYBA1BLS7C300261	

F-24

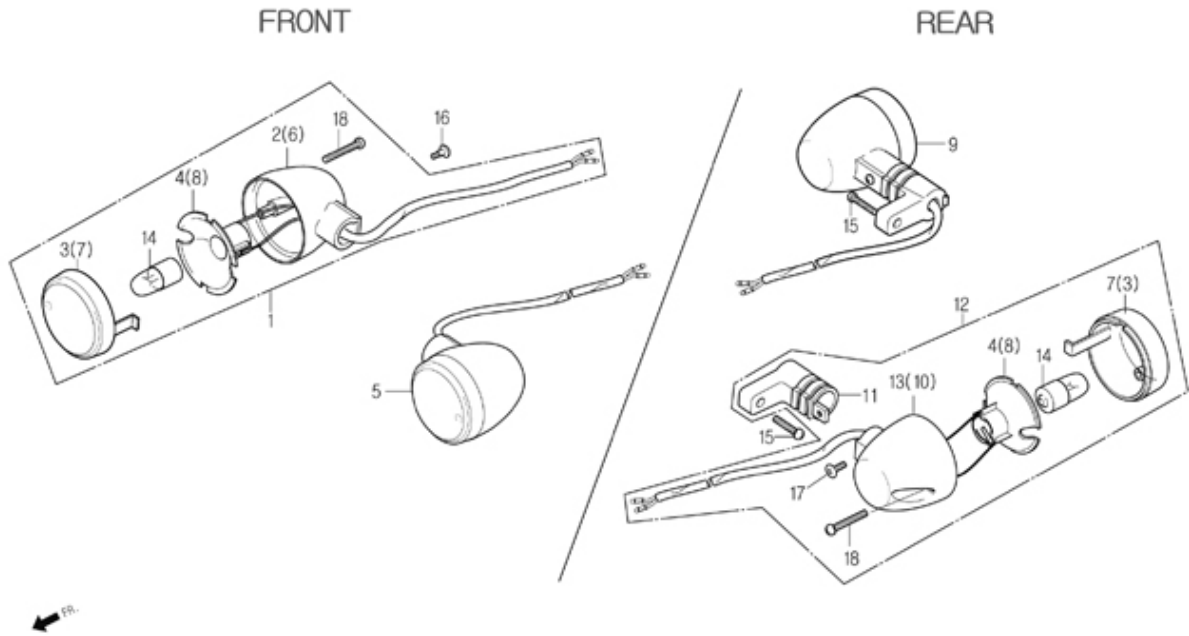
GRAP RAIL / REAR FENDER



Service item	FRT	Ref. No.	Part No.	Description	QTY	A/S	Exch	Start Date	Start FRM.No	End FRM.No
			80103-BA1-R300-PB	STRIPE, LH.RR.FENDER(P/BLACK)	1	Y		20061127	KMYBA1BLS7C300261	
			80103-BA1-R300-2G	STRIPE, LH.RR.FENDER(G+BLACK)	1	Y		20061127	KMYBA1BLS7C300261	
			80103-BA1-R300-2N	STRIPE, LH.RR.FENDER(O+BEIGE)	1	Y		20061127	KMYBA1BLS7C300261	
		17	80105-BA1-0000	PROTECTOR, RR.	1	Y		20061127	KMYBA1BLS7C300261	
		18	80108-BA5-9000	RUBBER, RR.FENDER MOUNT	4	Y		20061127	KMYBA1BLS7C300261	
		19	80125-BA1-0000	BRACKET ASS'Y, RR.FENDER	1	Y		20061127	KMYBA1BLS7C300261	
		20	83505-BA5-9000	COLLAR, COVER MOUNT	3	Y		20061127	KMYBA1BLS7C300261	
		21	84701-BA6-9600	BRACKET, NUMBER PLATE	1	Y		20061127	KMYBA1BLS7C300261	
		22	90001-BA5-0000	COLLAR, SIDE MOUNT	3	Y		20061127	KMYBA1BLS7C300261	
		23	90101-BA5-9000	BOLT, RR.FENDER SUPPORT	2	Y		20061127	KMYBA1BLS7C300261	
		24	90107-BA1-0000	BOLT, CAP 8x16	4	Y		20061127	KMYBA1BLS7C300261	
		25	90208-BA7-0000	NUT, FLANGE CAP 8mm	4	Y		20061127	KMYBA1BLS7C300261	
		26	90485-CB2-0000	WASHER, 8mm	6	Y		20061127	KMYBA1BLS7C300261	
		27	90192-BA1-0000	SCREW, SPECIAL 5x12	2	Y		20061127	KMYBA1BLS7C300261	
		28	S5701-06012-08	BOLT, FLANGE 6x12	2	Y		20061127	KMYBA1BLS7C300261	
		29	S5701-06018-08	BOLT, FLANGE 6x18	3	Y		20061127	KMYBA1BLS7C300261	
		30	S5701-06025-08	BOLT, FLANGE 6x25	4	Y		20061127	KMYBA1BLS7C300261	
		31	S6001-06025-07	BOLT, FLANGE SH 6x25	3	Y		20061127	KMYBA1BLS7C300261	

F-25

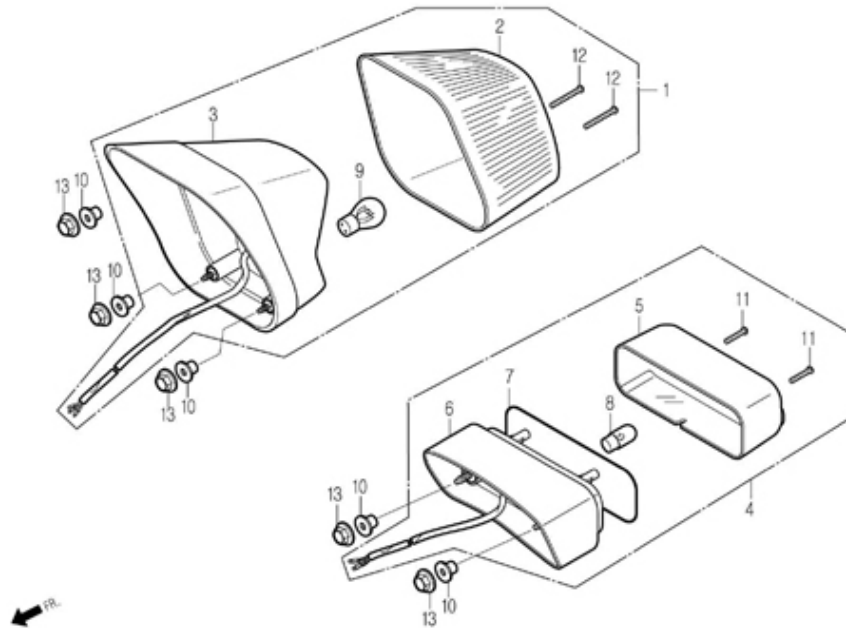
WINKER



Service item	FRT	Ref. No.	Part No.	Description	QTY	A/S	Exch	Start Date	Start FRM.No	End FRM.No
WINKER ASS'Y (ADD 0.1 FOR EACH) (INCLUDE RELATIVE PARTS)	0.2	1	33400-BA1-0120	WINKER ASS'Y, RH.FR.	1	Y		20061127	KMYBA1BLS7C300261	
		2	33401-BA1-0020	BASE, RH.FR.WINKER	1	N		20061127	KMYBA1BLS7C300261	
BULB, WINKER	0.1	3	33402-SA2-RB10	LENS A, WINKER(CLEAN)	2	Y		20061127	KMYBA1BLS7C300261	
		4	33403-SA2-RB00	REFLECTOR A, WINKER	2	N		20061127	KMYBA1BLS7C300261	
		5	33450-BA1-0120	WINKER ASS'Y, LH.FR.	1	Y		20061127	KMYBA1BLS7C300261	
		6	33451-BA1-0020	BASE, LH.FR.WINKER	1	N		20061127	KMYBA1BLS7C300261	
		7	33452-SA2-RB10	LENS B, WINKER(CLEAN)	2	Y		20061127	KMYBA1BLS7C300261	
		8	33453-SA2-RB00	REFLECTOR B, WINKER	2	N		20061127	KMYBA1BLS7C300261	
		9	33600-BA1-0120	WINKER ASS'Y, RH.RR.(CLEAN)	1	Y		20061127	KMYBA1BLS7C300261	
		10	33601-BA1-0020	BASE, RH.RR.WINKER	1	N		20061127	KMYBA1BLS7C300261	
		11	33641-BA1-0000	STAY COMP., RR.WINKER	2	Y		20061127	KMYBA1BLS7C300261	
		12	33650-BA1-0120	WINKER ASS'Y, LH.RR.	1	Y		20061127	KMYBA1BLS7C300261	
		13	33651-BA1-0020	BASE, LH.RR.WINKER	1	N		20061127	KMYBA1BLS7C300261	
		14	34905-SA2-RB00	BULB, WINKER(12V 10W)	4	Y		20061127	KMYBA1BLS7C300261	
		15	90001-SC1-0000	SCREW, THRUST 6x20	2	Y		20061127	KMYBA1BLS7C300261	
16	90111-BA1-0000	SCREW, SCREEN SETTING 4x9	2	Y		20000711	KMYBA1BLS7C000001			
17	90111-BA1-1000	SCREW, SPECIAL 4x7	2	Y		20061127	KMYBA1BLS7C300261			
18	S3901-34610	SCREW, TAPPING 4x25	4	N		20061127	KMYBA1BLS7C300261			

F-26

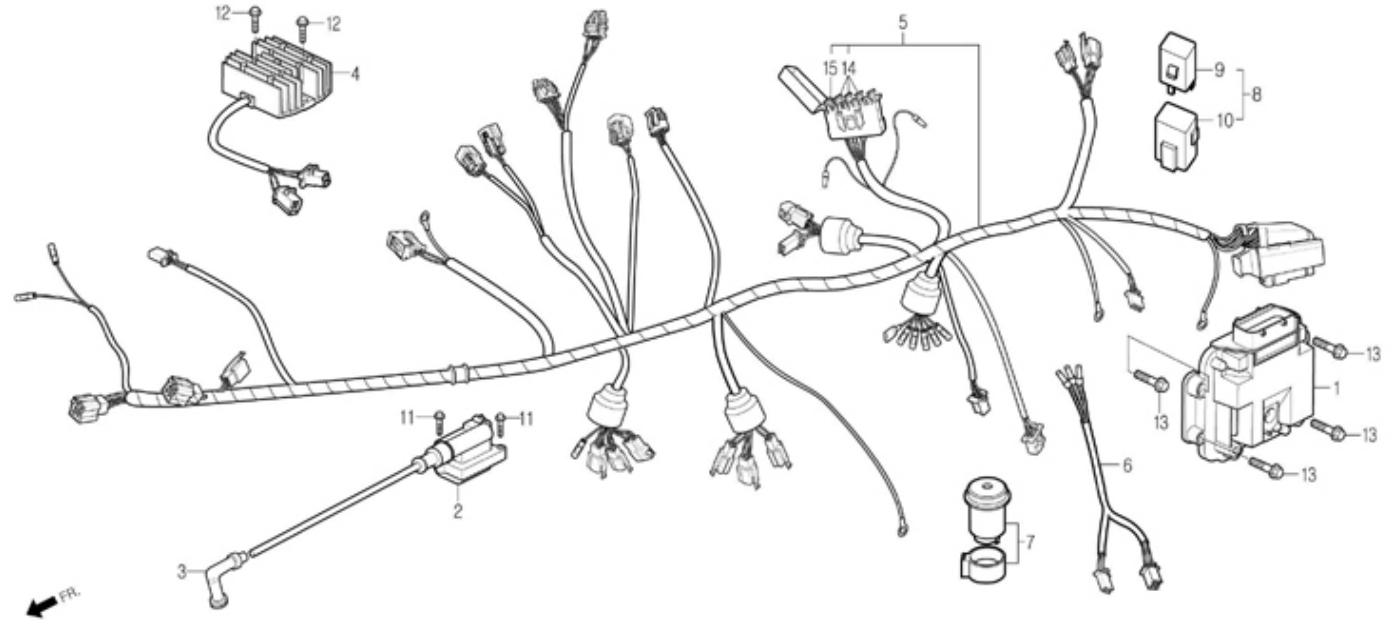
TAIL LIGHT



Service item	FRT	Ref. No.	Part No.	Description	QTY	A/S	Exch	Start Date	Start FRM.No	End FRM.No
BASE, TAIL LIGHT	0.3	1	33700-BA1-0010	ASS'Y, TAIL LIGHT	1	Y		20061127	KMYBA1BLS7C300261	
.LIGHT ASS'Y, TAIL		2	33701-BA1-0000	LENS, TAIL LIGHT	1	Y		20061127	KMYBA1BLS7C300261	
.BASE, LICENSE LIGHT		3	33702-BA1-0000	BASE, TAIL LIGHT	1	N		20061127	KMYBA1BLS7C300261	
.LIGHT ASS'Y, LICENSE		4	33710-BA1-0010	LIGHT ASS'Y, LICENSE	1	Y		20061127	KMYBA1BLS7C300261	
		5	33711-BA1-0010	LENS, LICENSE LIGHT	1	Y		20061127	KMYBA1BLS7C300261	
BULB, STOP & TAIL LIGHT	0.1	6	33712-BA1-0000	BASE, LICENSE LIGHT	1	N		20061127	KMYBA1BLS7C300261	
.BULB, MARKER LIGHT		7	33713-BA1-0000	PACKING, LICENSE LIGHT	1	Y		20061127	KMYBA1BLS7C300261	
.LENSE, TAIL LIGHT		8	34902-SA1-RB00	BULB, WEDGE BASE(12V 5W)	1	Y		20061127	KMYBA1BLS7C300261	
.LENS, LICENSE LIGHT		9	34906-BA7-RB00	BULB, TAIL & STOP(12V 21W/5W)	1	Y		20061127	KMYBA1BLS7C300261	
		10	90522-BA1-0000	WASHER, CHAIN CASE SETTING	5	Y		20061127	KMYBA1BLS7C300261	
		11	S3901-34420	SCREW, TAPPING 4x16	2	Y		20061127	KMYBA1BLS7C300261	
		12	S3903-24420	SCREW, TAPPING 4x16	2	Y		20061127	KMYBA1BLS7C300261	
		13	S4050-06080	NUT, FLANGE 6mm	5	Y		20061127	KMYBA1BLS7C300261	

F-27

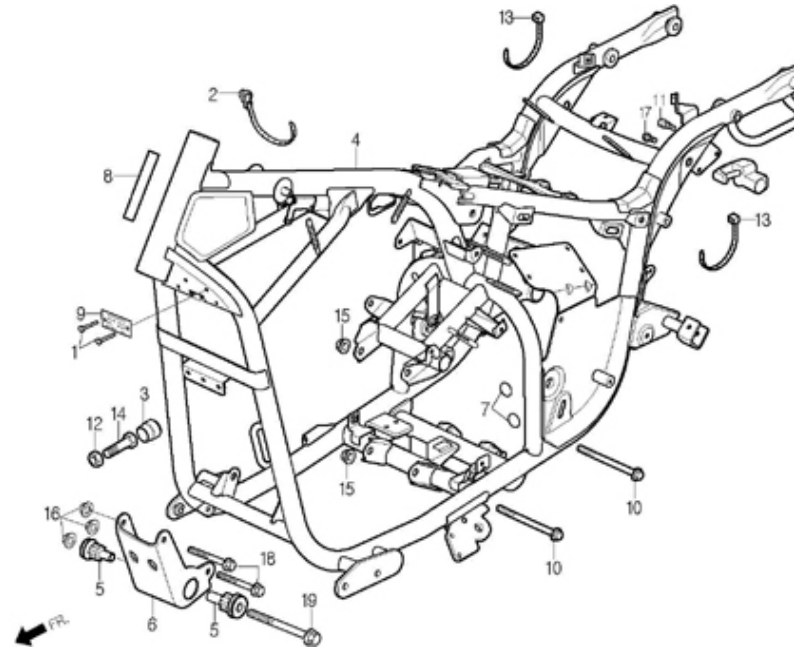
WIRE HARNESS



Service item	FRT	Ref. No.	Part No.	Description	QTY	A/S	Exch	Start Date	Start FRM.No	End FRM.No
CONTROL UNIT, ENGINE COIL COMP., IGNITION RELAY COMP., WINKER HARNESS, WIRE	0.1	1	30100-BA1-R300	UNIT, ENGINE CONTROL	1	Y		20061127	KMYBA1BLS7C300261	
	0.9	2	30510-BA1-R300	COIL COMP., IGNITION	1	Y		20061127	KMYBA1BLS7C300261	
		3	30700-BA1-0000	CAP ASS'Y, NOISE SUPPRESSOR	1	Y		20061127	KMYBA1BLS7C300261	
		4	31600-SAB-0000-M1	RECTIFIER ASS'Y, REGULATOR	1	Y		20061127	KMYBA1BLS7C300261	
		5	32100-BA1-R300	HARNESS, WIRE	1	Y		20061127	KMYBA1BLS7C300261	
		6	32103-BA1-0010	SUB HARNESS, TAIL LIGHT	1	Y		20061127	KMYBA1BLS7C300261	
		7	3830A-BA6-0300-P	RELAY ASS'Y, WINKER(POLICE)	1	Y		20061127	KMYBA1BLS7C300261	
		8	38500-BA4-0000	RELAY ASS'Y, LIGHT	1	Y		20061127	KMYBA1BLS7C300261	
		9	38501-SE6-9800	RELAY COMP, START	1	N		20061127	KMYBA1BLS7C300261	
		10	38506-BA4-0000	SUSPENSION, LIGHT RELAY	1	N		20061127	KMYBA1BLS7C300261	
		11	90112-BA7-0000	BOLT, FLANGE 5x22	2	Y		20061127	KMYBA1BLS7C300261	
		12	S5701-06016-08	BOLT, FLANGE 6x16	2	Y		20061127	KMYBA1BLS7C300261	
		13	S5701-06025-08	BOLT, FLANGE 6x25	4	Y		20061127	KMYBA1BLS7C300261	
		14	S8200-31500	BLADE FUSE 15A	3	Y		20061127	KMYBA1BLS7C300261	
		15	S8200-33000	BLADE FUSE 30A	1	Y		20061127	KMYBA1BLS7C300261	

F-28

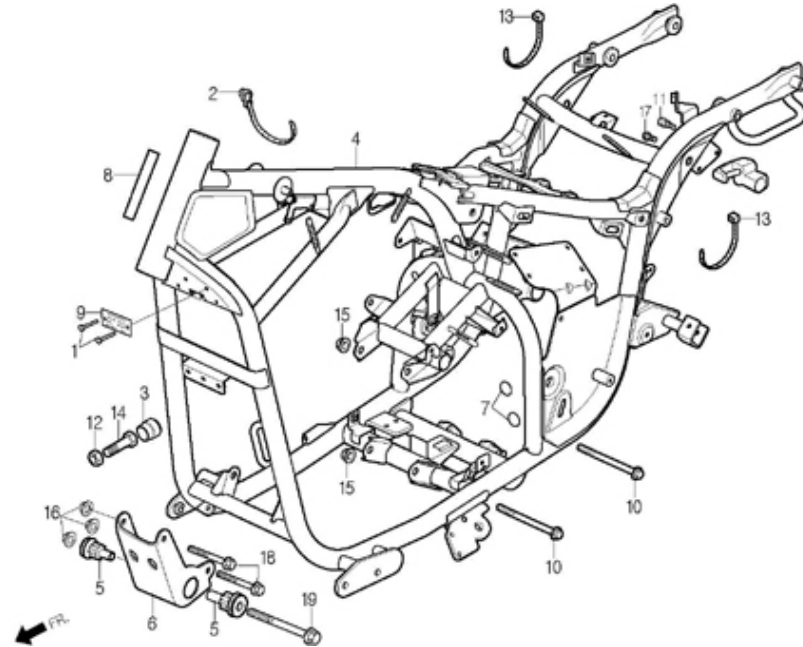
FRAME BODY



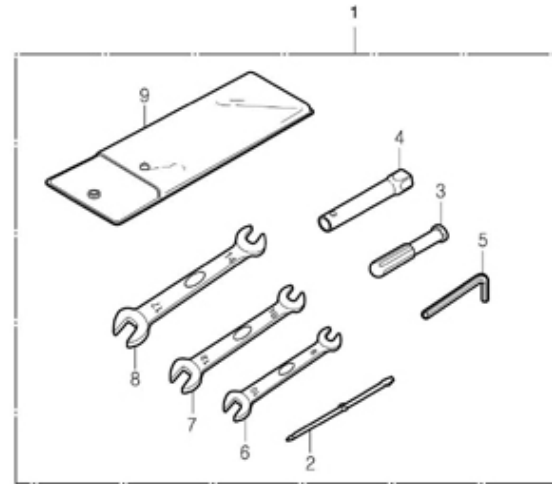
Service item	FRT	Ref. No.	Part No.	Description	QTY	A/S	Exch	Start Date	Start FRM.No	End FRM.No
BODY COMP., FRAME	5.5	1	18323-BA7-RE00	RIVET, BLIND 3.2	2	Y		20061127	KMYBA1BLS7C300261	
		2	32131-BA5-9000	BAND, HARNESS OFFSET	1	Y		20061127	KMYBA1BLS7C300261	
		3	43411-BA5-RB00	BOOT, RR.BRAKE STOPPER BOLT	1	Y		20061127	KMYBA1BLS7C300261	
		4	50100-BA1-R300	BODY COMP., FRAME	1	Y	N	20061127	KMYBA1BLS7C300261	KMYBA1BLS8C302906
			50100-BA1-R310	BODY COMP., FRAME	1	Y	N	20080117	KMYBA1BLS8C302907	KMYBA1BLS9C304603
			50100-BA1-R320	BODY COMP., FRAME	1	Y		20081101	KMYBA1BLS9C304604	
		5	50200-BA7-9000	RUBBER COMP., MOUNT	2	Y		20061127	KMYBA1BLS7C300261	
		6	50351-BA7-9000	BRACKET, FR.ENGINE HANGER	1	Y		20061127	KMYBA1BLS7C300261	
		7	64382-BA1-0000	TAPE, COVER	2	Y		20061127	KMYBA1BLS7C300261	
		8	87508-BA5-RB00	TAPE, FRAME.NO.MASKING	1	Y		20061127	KMYBA1BLS7C300261	
		9	87509-BA1-R300	DATA PLATE, MANUFACTURER'S	1	N		20061127	KMYBA1BLS7C300261	
		10	90019-BA5-0000	BOLT, FLANGE 10x110	2	Y		20061127	KMYBA1BLS7C300261	
		11	90085-BA7-0000-EU	BOLT, DRIVE SPROCKET FIXING 6x9	1	Y		20061127	KMYBA1BLS7C300261	
		12	90201-SE5-0000	NUT, SPECIAL 6mm	1	Y		20061127	KMYBA1BLS7C300261	
		13	90652-BA7-7720-M2	BAND, WIRE	2	Y		20061127	KMYBA1BLS7C300261	
		14	S2101-06016-0H	BOLT, HEX 6x16	1	Y		20061127	KMYBA1BLS7C300261	
		15	S4050-08080	NUT, FLANGE 8mm	2	Y		20061127	KMYBA1BLS7C300261	
		16	S4050-10080	NUT, FLANGE 10mm	3	Y	Y	20061127	KMYBA1BLS7C300261	KMYBA1BLS8C303626
	90308-BA6-0000	NUT, FLANGE 10mm(Y)	3	Y		20080421	KMYBA1BLS8C303627			
17	S5701-06010-08	BOLT, FLANGE 6x10	1	Y		20061127	KMYBA1BLS7C300261			
18	S5801-08085-08	BOLT, FLANGE 8x85	2	Y		20061127	KMYBA1BLS7C300261			

F-28

FRAME BODY



Service item	FRT	Ref. No.	Part No.	Description	QTY	A/S	Exch	Start Date	Start FRM.No	End FRM.No
		19	S5801-10120-08	BOLT, FLANGE 10x120	1	Y		20061127	KMYBA1BLS7C300261	

F-29**TOOL**

Service item	FRT	Ref. No.	Part No.	Description	QTY	A/S	Exch	Start Date	Start FRM.No	End FRM.No
		1	89010-BA1-RB00	TOOL SET	1	Y		20061127	KMYBA1BLS7C300261	
		2	89102-CB2-0000	DRIVER, NO.2 PLUS & MINUS	1	N		20061127	KMYBA1BLS7C300261	
		3	89103-CB2-0000	GRIP	1	N		20061127	KMYBA1BLS7C300261	
		4	89216-BA1-0000	WRENCH, BOX	1	N		20061127	KMYBA1BLS7C300261	
		5	89221-BA5-0000	WRENCH, HEX 5	1	N		20061127	KMYBA1BLS7C300261	
		6	S9001-08100	SPANNER 8x10	1	N		20061127	KMYBA1BLS7C300261	
		7	S9001-BA7-0300-M1	SPANNER 10x12	1	N		20061127	KMYBA1BLS7C300261	
		8	S9001-BA7-0600-M1	SPANNER 14x17	1	N		20061127	KMYBA1BLS7C300261	
		9	89104-SZ1-0000	BAG, TOOL 160mm	1	N		20061127	KMYBA1BLS7C300261	